



UAS-H900 SERIES

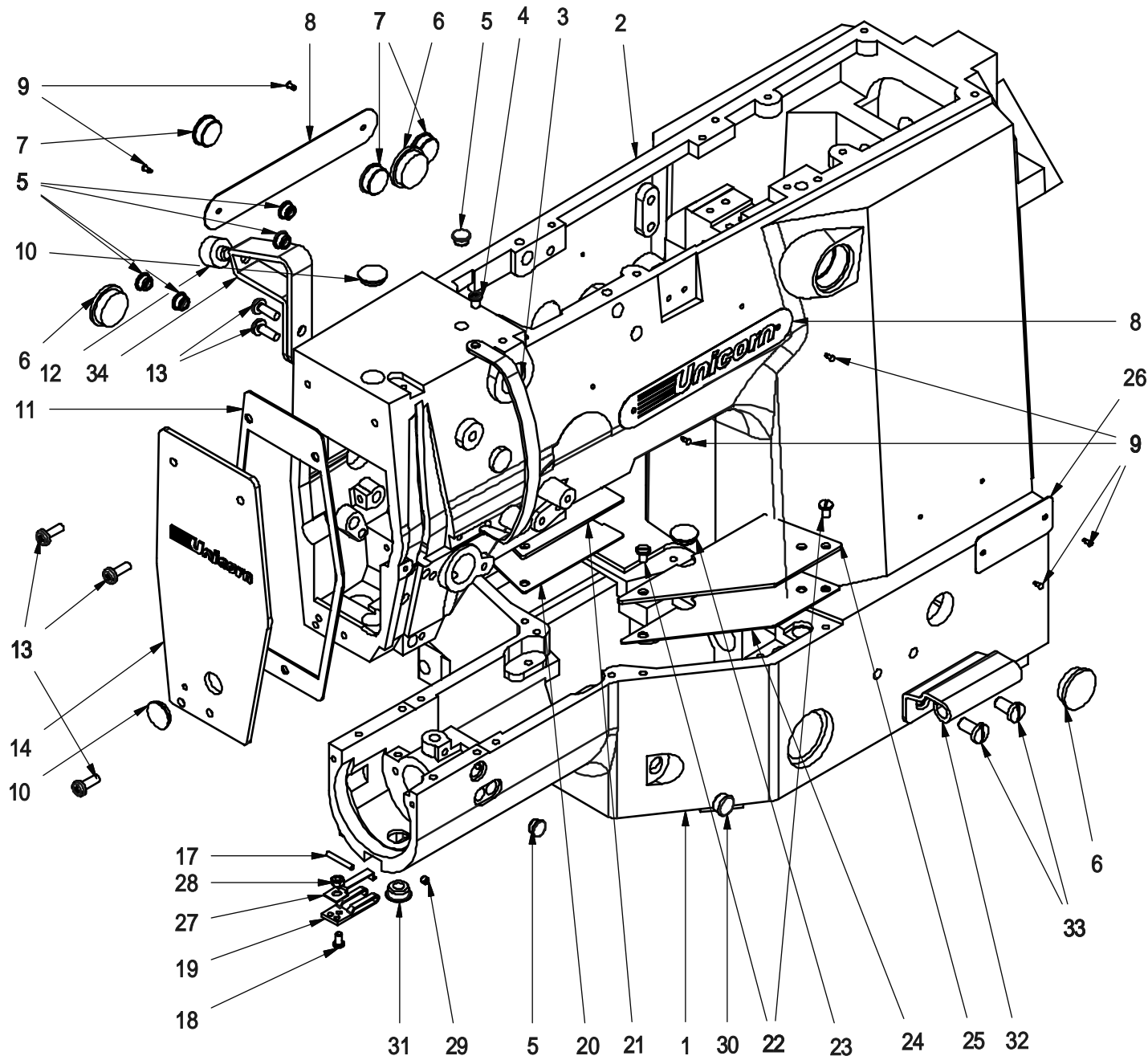
전자바택커
전자벨트루프바택커
전자단추구멍엔드바택커
전자패턴택커
전자단추달이재봉기

PART BOOK

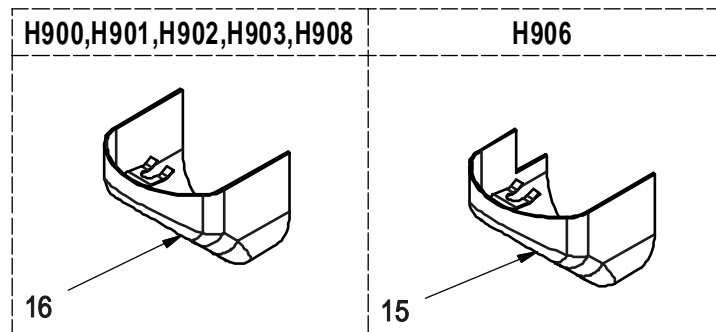
부 품 명 세 서

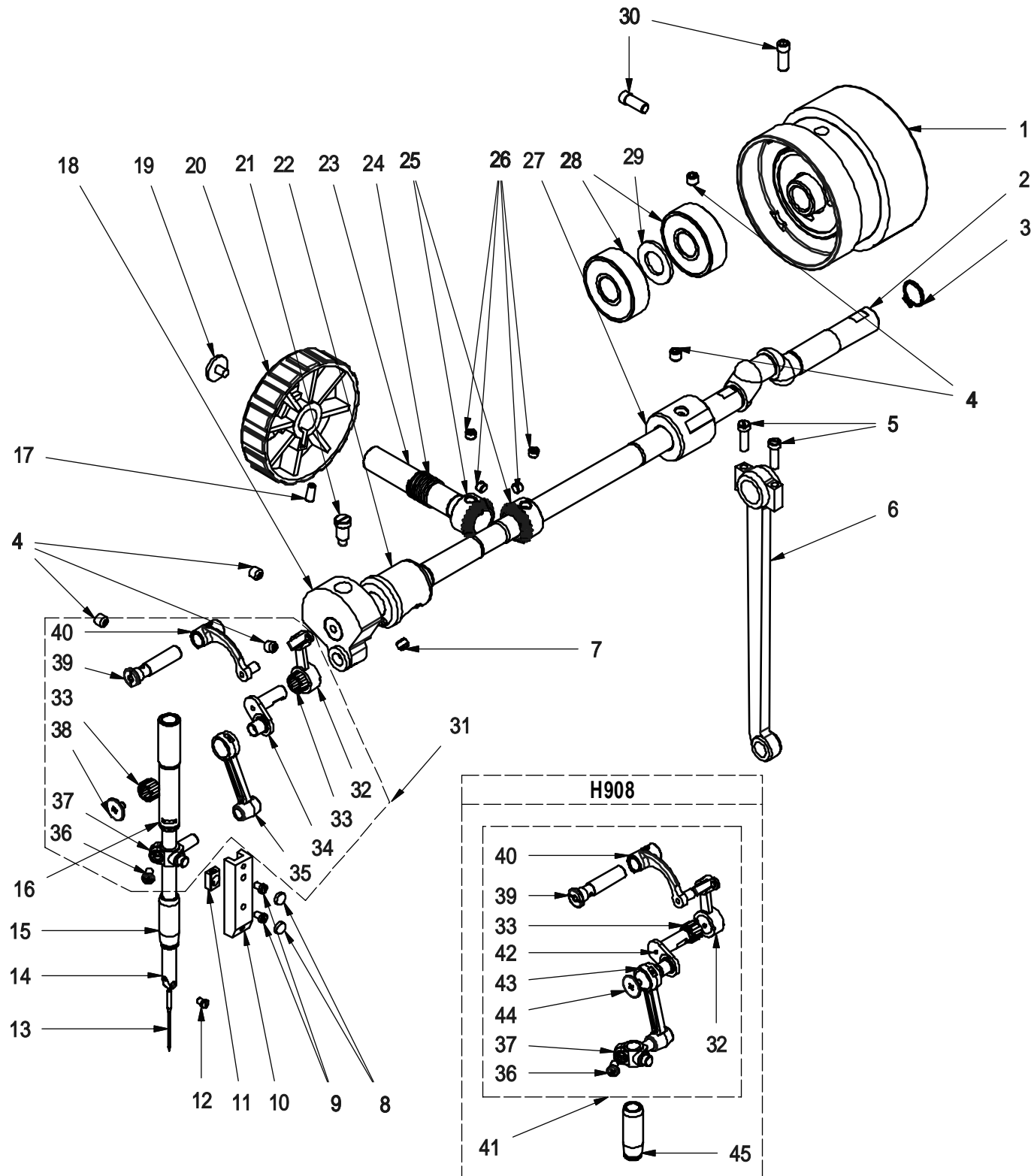
THANK YOU FOR SELECTING THE UNICORN SEWING MACHINE. WE ARE SURE YOU WILL ENJOY ITS EXCELLENT FUNCTIONS. PLEASE READ THIS MANUAL BEFORE ATTEMPTING TO OPERATE THE MACHINE.

Unicorn

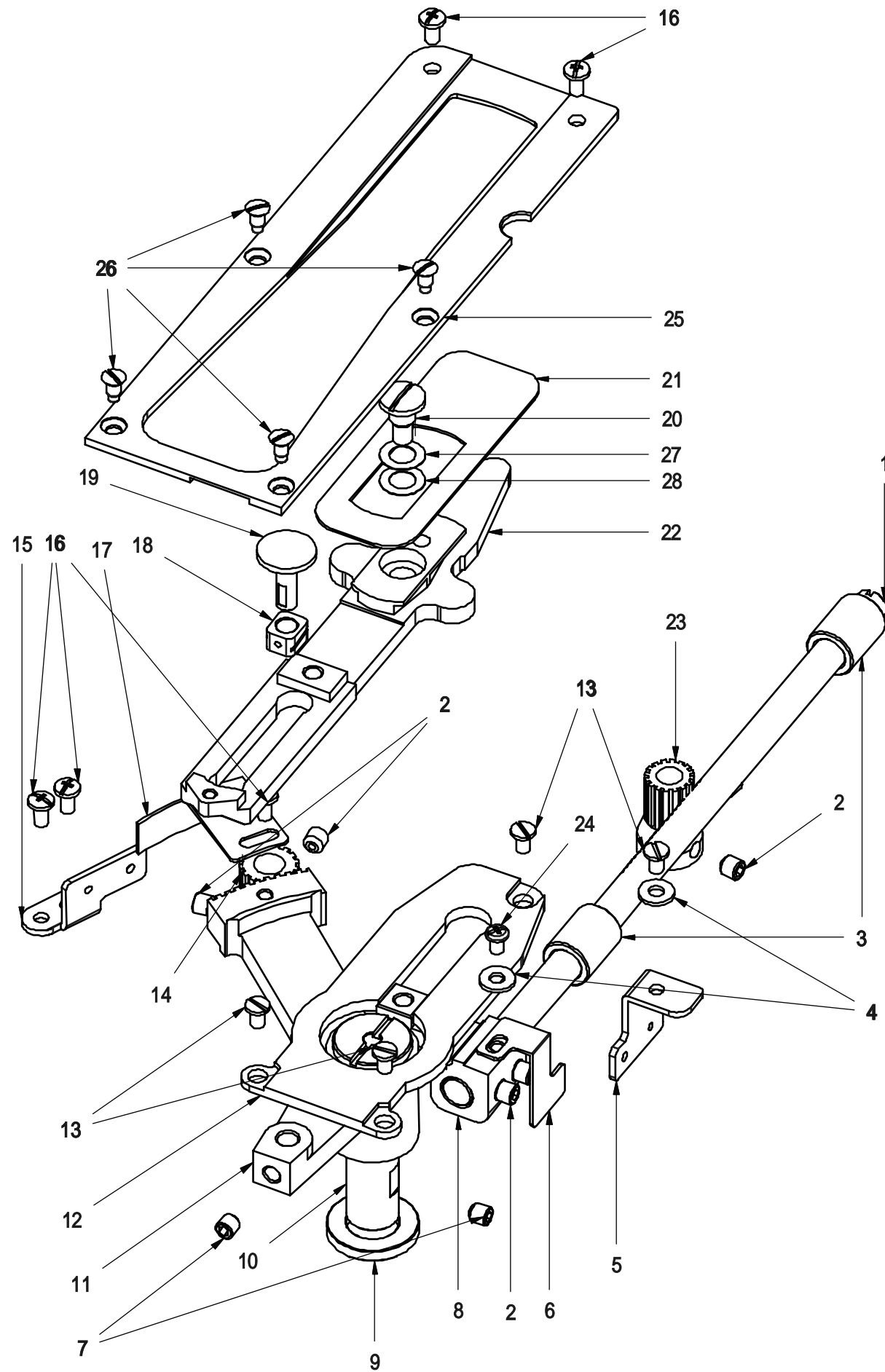


No.	Code No.		Name of Parts	Q'ty
1	271002		Bed	1
2	271001		Arm	1
3	203041		Thread Take-up Cover	1
4	1021	9/64(40)-6	Screw 9/64(40)-6	1
5	227002	8	Rubber Cap 8	7
6	207014	20.5	Rubber Cap 20.5	3
7	227001	15.5	Rubber Cap 15.5	3
8	304001		Name Plate	2
9	114011		Pin	6
10	207004	13.5	Rubber Cap 13.5	2
11	278001		Face Plate Packing	1
12	277009	A	Rubber Cushion A	1
13	1059	11/64(40)-13	Screw 11/64(40)-13	5
14	273001		Face Plate	1
15	273138	가	Eyelet Hook Cover	1
16	273046	가	Hook Cover	1
17	272071		Pin	1
18	2029	9/64(40)-6.5	Screw SM9/64(40)-6.5	1
19	273066	가	Hook Cover Support	1
20	278004	(L)	Bed Cover,L Packing	1
21	273002	(L)	Bed Cover,L	1
22	2124	11/64(40)-6.5	Screw 11/64(40)-6.5	5
23	157016	13	Rubber Cap 13	1
24	278003	(R)	Bed Cover,R Packing	1
25	273003	(R)	Bed Cover,R	1
26	273034		Model Plate	1
			H900	
	273095	Series	Model Plate Series	1
27	273115	가	Hook Cover Stopper	1
28	182093	9/64(40)	Nut 9/64(40)	1
29	3006	9/64(40)-3.5	Screw 9/64(40)-3.5	2
30	227004	10.5	Oil Cap 10.5	1
31	117006	11.8	Rubber Plug 11.8	1
32	880		Handle	1
33	2078	SM1/4(24)-13	Screw SM1/4(24)-13	2
34	273012		Head Rest	1

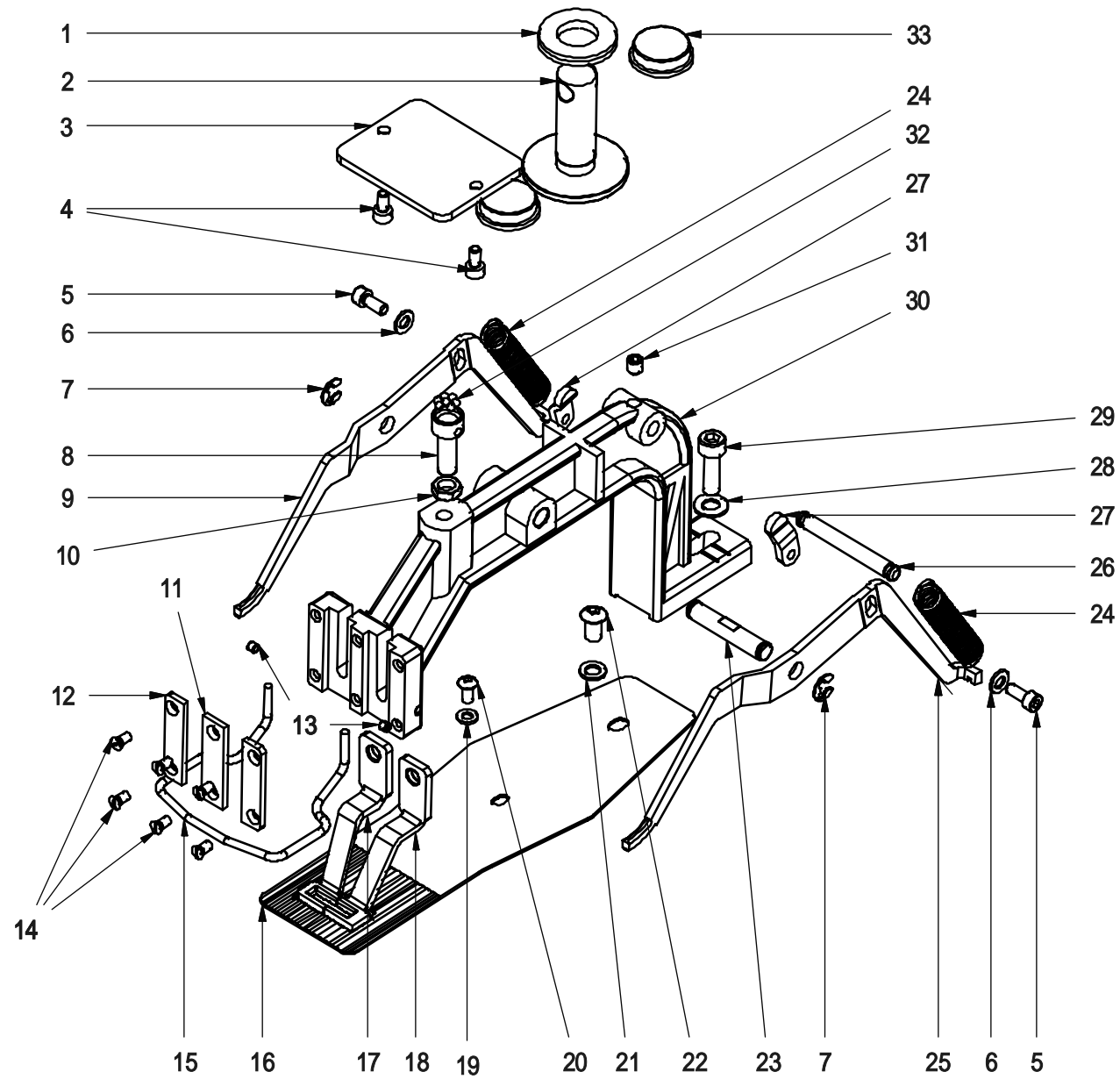




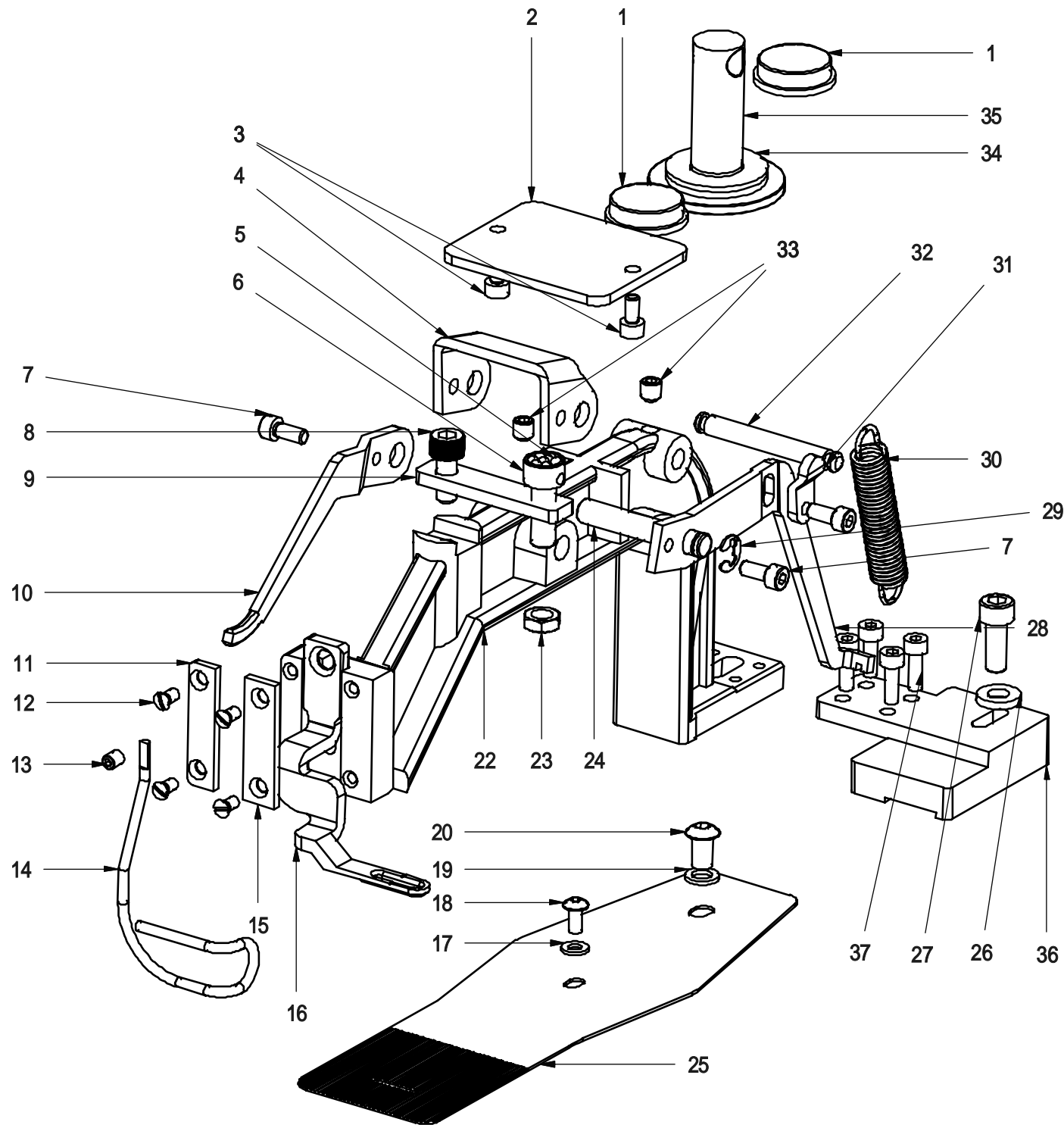
No.	Code No.		Name of Parts	Q'ty	
1	279025	()	Timing Pulley Assy.	1	
2	272001		Upper Shaft	1	
3	115007		Stop Ring	1	
4	3058	1/4(40)-6	Screw 1/4(40)-6	5	
5	2061	3/16(28)-15	Screw 3/16(28)-15	2	
6	201014		Crank Rod	1	
7	3057	1/4(40)-5.5	Screw 1/4(40)-5.5	1	
8	207006	7.2	Rubber Cap 7.2	2	
9	2026	9/64(40)-5	Screw 9/64(40)-5	2	
10	271003		Needle Bar Guide	1	
11	112017		Needle Bar Guide Slide Block	1	B755-B-21
12	2009	1/8(40)-4.5	Screw 1/8(40)-4.5	1	
13	126001	DP 5#11	Needle DP 5#11	1	
	156002	DP 5#14	Needle DP 5#14	1	
	136002	DP 17#21	Needle DP 17#21	1	
14	202034		Needle Bar	1	
15	202084	()	Needle Bar Bush(D)	1	
16	202036	()	Needle Bar Bush(U)	1	
17	206020	4 10	Spring Pin 4 10	1	
18	271004		Thread Take-up Crank	1	
19	2067	3/16(32)-6.5	Screw 3/16(32)-6.5	1	
20	274014		Hand Polley	1	
21	7005	9/32(28)-14	Screw 9/32(28)-14	1	
22	202086	()	Upper Shaft Bush(L)	1	
23	272021		Hand Pulley Shaft	1	
24	205020		Hand Pulley Spring	1	
25	202088		Hand Pulley Gear	2	
26	3054	1/4(40)-4	Screw 1/4(40)-4	4	
27	221009	()	Upper Shaft Bush(M)	1	B755-B-39
28	206023		Ball Bearing	2	6302
29	273031		Washer	1	
30	9041	15/64(28)-14	Screw 15/64(28)-14	2	
31	279010	()	Thread Take-up Lever Assy.	1	
32	271019		Thread Take-up	(1)	
33	122092		Bearing	(2)	
34	272065		Needle Bar Crank	(1)	
35	271018		Connecting Rod	(1)	
36	1048	11/64(40)-7	Screw 11/64(40)-7	(1)	
37	201024		Needle Bar Clamp	(1)	
38	8018		End Screw Left	(1)	
39	272064		Thread Take-up Shaft	(1)	
40	271017		Thread Take-up Stud	(1)	
41	279041	()	Thread Take-Up Lever ASSY	1	
(33)	122092		Bearing	(1)	
(36)	1048	11/64(40)-7	Screw 11/64(40)-7	(1)	
(37)	201024		Needle Bar Clamp	(1)	
(39)	272064		Thread Take-up Shaft	(1)	
(40)	271017		Thread Take-up Stud	(1)	
42	272075		Needle Bar Crank	(1)	
43	271024		Connecting Rod	(1)	
44	8161		End Screw Left	(1)	
45	272077	()	Needle Bar Bush(D)	1	



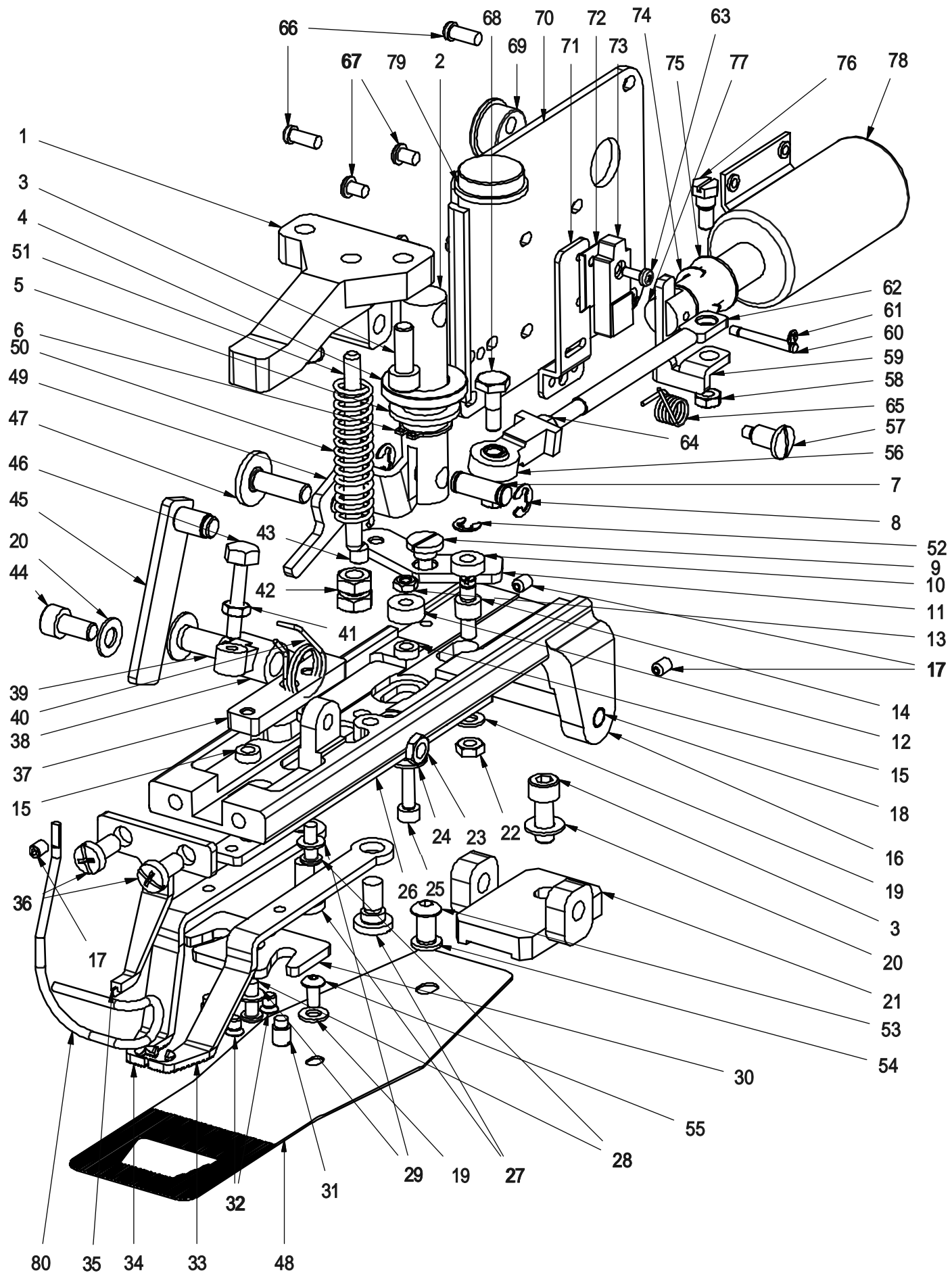
No.	Code No.		Name of Parts	Q'ty
1	272047	Y	Y Feed Shaft	1
2	3058	1/4(40) -6	Screw 1/4(40) -6	6
3	272050	Y	Y Feed Shaft Bushing	2
4	223033	(4.8×11×1.2)	Washer (4.8×11×1.2)	2
5	273077	Y	Y Sensor Setting Plate	1
6	273076	Y	Y Sensor Perceive Plate	1
7	3035	15/64(28) -6	Screw 15/64(28) -6	2
8	271016	Y	Y Feed Arm	1
9	272048		Collar	1
10	272046	X	X Feed Lever Shaft	1
11	271009	x	X Feed Lever	1
12	273072		Feed Support Plate	1
13	2124	11/64(40) -6.5	Screw 11/64(40) -6.5	4
14	272061	X	X Feed Gear	1
15	273075	X	X Sensor Setting Plate	1
16	1050	11/64(40) -8	Screw 11/64(40) -8	5
17	273074	X	X Sensor Perceive Plate	1
18	272056	X	X Feed Block	1
19	272057	X	X Feed Block Shaft	1
20	6063	SM15/64(28) -8.1	Screw SM15/64(28) -8.1	1
21	274015		Feed Cover	1
22	271007		Feed Bracket	1
23	272062	Y	Y Feed Gear	1
24	1047	11/64(40) -6	Screw 11/64(40) -6	1
25	273023		Feed Bar Guide Plate	1
26	4018	11/64(40) -8	Screw 11/64(40) -8	4
27	273127		Washer	1
28	273126		Washer	1



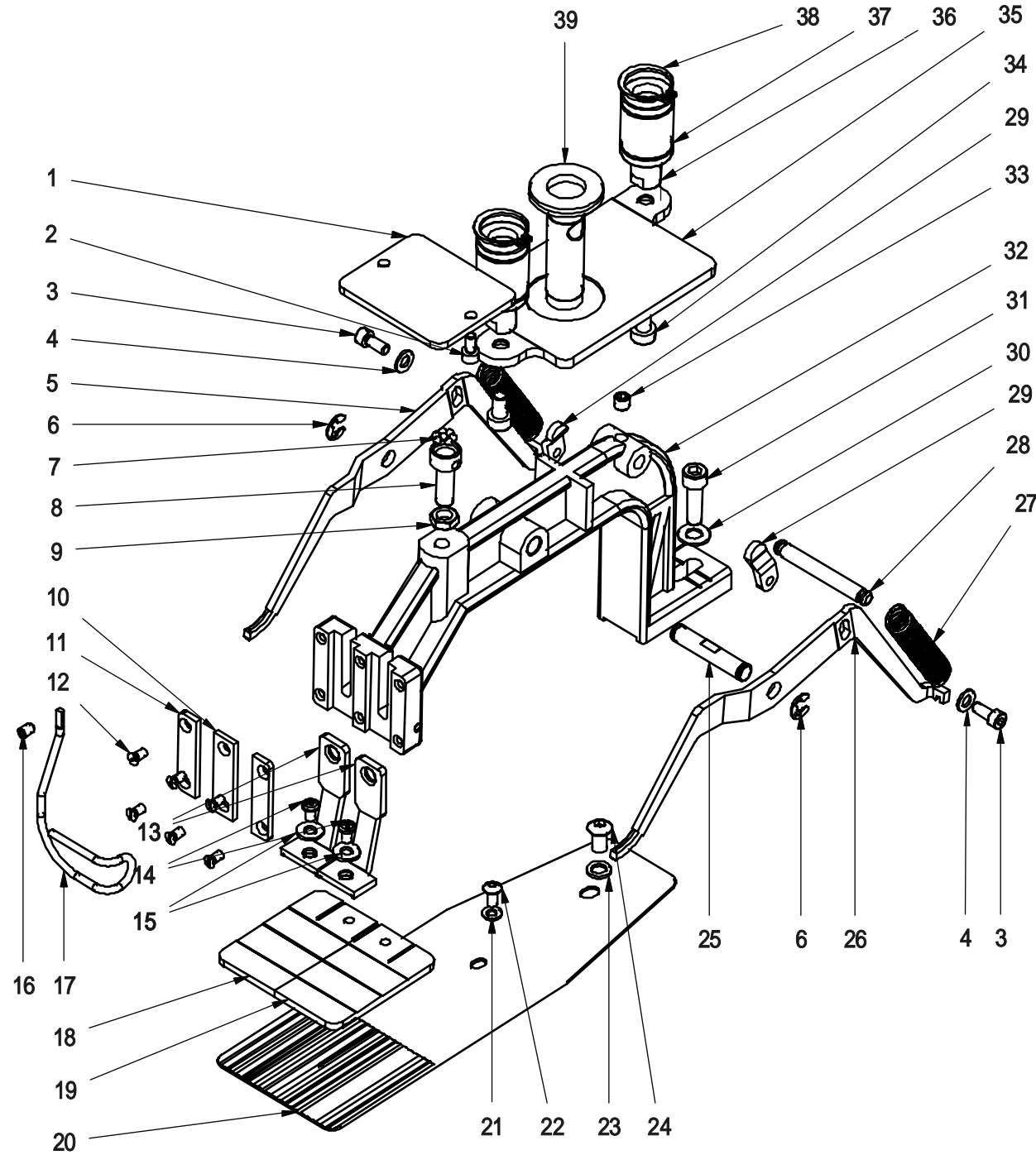
No.	Code No.		Name of Parts	Q'ty
1	207018		Work Clamp Lifter Lever Rubber	1
2	279012	()	Work Clamp Plate Assy	1
3	273017		Support Plate	1
4	9001	M4-8	Screw M4-8	2
5	9002	11/64(40)-10	Screw 11/64(40)-10	2
6	123062	(5 x 9.5 x 1)	Washer (5 x 9.5 x 1)	2
7	125033	E 5	E-type Stop Ring 5	2
8	272005		Support Shaft	1
9	273007	()	Lever, R	1
10	122081	9/32(28)	Nut 9/32(28)	1
11	273010	(B)	Work Clamp Guide Bracket (B)	1
12	273009	(A)	Work Clamp Guide Bracket (A)	2
13	3006	9/64(40)-3.5	Screw 9/64(40)-3.5	2
14	4011	9/64(40)-6.5	Screw 9/64(40)-6.5	6
15	275009	가 A	Finger Guard A	1
16	273079	A	Feed Plate A	1
17	273071	A ()	Work Clamp A.Left	1
18	273070	A ()	Work Clamp A.Right	1
19	123085	(4x8x1)	Washer (4x8x1)	1
20	9065	M4(P0.7)-8	Screw M4(P0.7)-8	1
21	123061	(6x10x1.2)	Washer (6x10x1.2)	1
22	9058	M6(P:1.0)-10	Screw M6(P:1.0)-10	1
23	272003		Lever Shaft	1
24	275002		Work Clamp Spring	2
25	273008	()	Lever, L	1
26	272051		Spring Suspension	1
27	273006		Plate	2
28	133017	(6x10x1.2)	Washer (6.5x13x1)	1
29	9031	M6(P:1)-20	Screw M6(P:1)-20	1
30	271006		Work Clamp Arm	1
31	3035	15/64(28)-6	Screw 15/64(28)-6	1
32	276012		Ball	7
33	207013	21.5	Rubber Cap 21.5	2



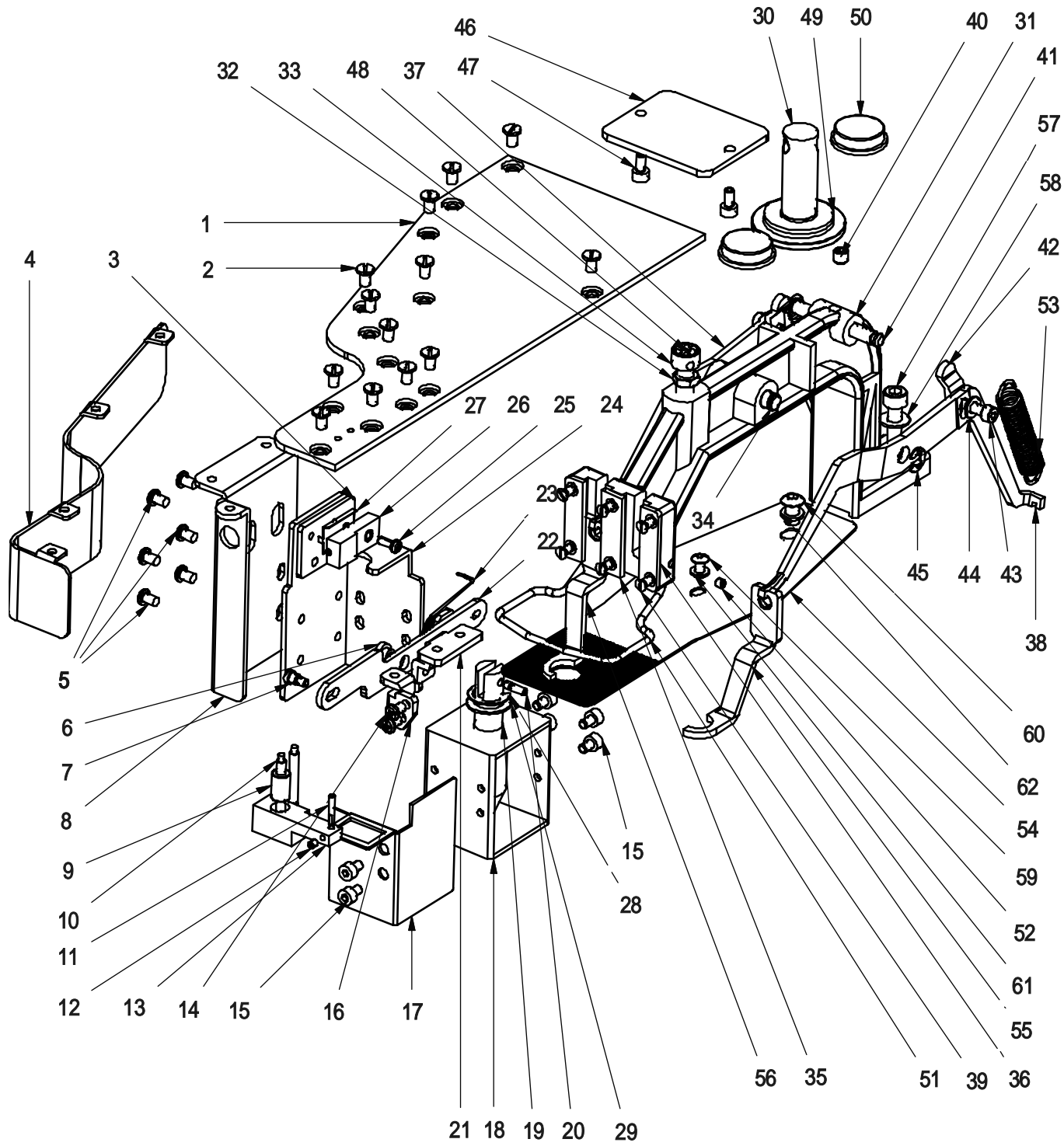
No.	Code No.		Name of Parts	Q'ty
1	207013	21.5	Rubber Cap 21.5	2
2	273017		Support Plate	1
3	9001	M4-8	Screw M4-8	2
4	273143		Link	1
5	276012		Ball	7
6	272005		Support Shaft	1
7	9002	11/64(40)-10	Screw 11/64(40)-10	3
8	9033	15/64(28)-15	Screw 15/64(28)-15	1
9	273144		Support Plate	1
10	273141	()	Belt Loop Work Clamp Lever, R	1
11	273009	(A)	Work Clamp Guide Bracket (A)	1
12	4011	9/64(40)-6.5	Screw 9/64(40)-6.5	4
13	3020	11/64(40)-6	Screw 11/64(40)-6	1
14	275001	가	Finger Guard	1
15	273010	(B)	Work Clamp Guide Bracket (B)	1
16	273140		Belt Loop Work Clamp	1
17	123085	(4x8x1)	Washer (4x8x1)	1
18	9065	M4(P0.7)-8	Screw M4(P0.7)-8	1
19	123061	(6x10x1.2)	Washer (6x10x1.2)	1
20	9058	M6(P:1.0)-10	Screw M6(P:1.0)-10	1
22	271025		Belt Loop Work Clamp Arm	1
23	122081	9/32(28)	Nut 9/32(28)	1
24	202009		Work Clamp Arm Lever Shaft	1
25	273097	A	Feed Plate A	1
26	223066		Washer	1
27	9008	M6(P:1)-16	Screw M6(P:1)-16	1
28	273142	()	Belt Loop Work Clamp Lever, L	1
29	125033	E 5	E-type Stop Ring 5	1
30	275002		Work Clamp Spring	1
31	273006		Plate	1
32	272051		Spring Suspension	1
33	3035	15/64(28)-6	Screw 15/64(28)-6	2
34	207018		Work Clamp Lifter Lever Rubber	1
35	279012	()	Work Clamp Plate Assy	1
36	272076		Work Clamp Arm Setting Plate	1
37	9013	M4-12	Screw M4-12	4



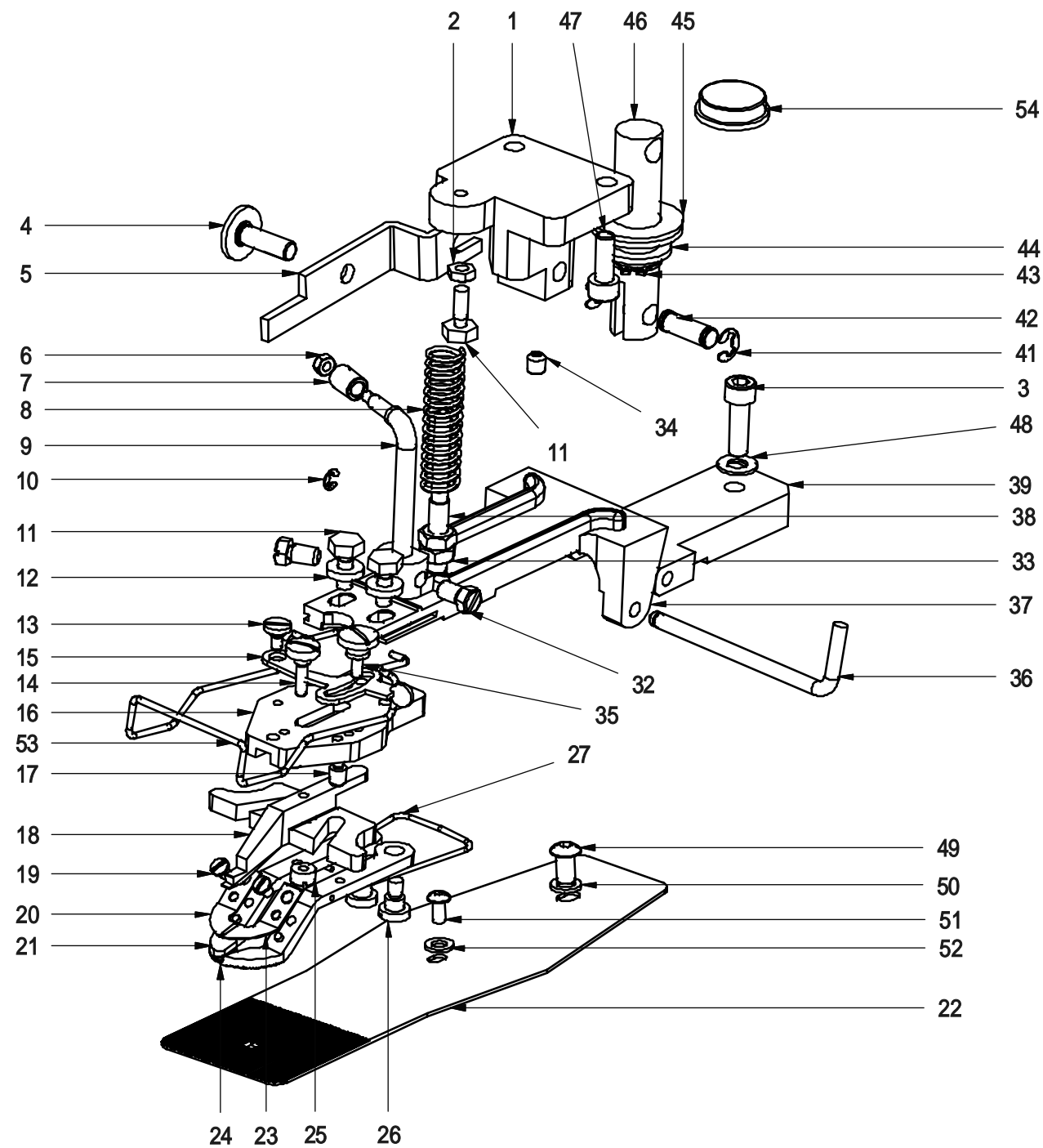
No.	Code No.		Name of Parts	Q'ty
1	271011		Button Hole Clamp Support Plate	1
2	272067		Button Clamp Lifting Shaft	1
3	9008	M6(P:1)-16	Screw M6(P:1)-16	3
4	272048		Collar	1
5	223006		Thrust Washer	1
6	115007	C	C-Type Stop Ring	1
7	272073		Pin	1
8	125033	E 5	E-type Stop Ring 5	2
9	6033	SM 11/64(40)-5	Screw SM 11/64(40)-5	1
10	272026		Roller	1
11	273015		Lever	1
12	272043		Collar	1
13	122083	M4	Nut M4	1
14	8157	3/16(4.76) 32	SM 3/16(4.76) 32	1
15	212016		Collar	3
16	271013		Button Hole Work Clamp Arm	1
17	3020	11/64(40)-6	Screw 11/64(40)-6	3
18	272072		Shaft	1
19	223032	(5×9.5×1)	Washer (5×9.5×1)	2
20	133017	(6.5×13×1)	Washer (6.5×13×1)	2
21	271010		Button Hole Clamp Feed Plate	1
22	222048	3/16	Nut 3/16	1
23	122088	15/64(28)	Nut 15/64(28)	1
24	173033	(4.2×12×1)	Washer (4.2×12×1)	1
25	9026	M4(P:0.7)-16	Screw M4(P:0.7)-16	1
26	273059		Work Clamp Carrier Plate	1
27	6073	SM1/4(24)-10.7	Screw SM1/4(24)-10.7	2
28	1047	11/64(40)-6	Screw 11/64(40)-6	2
29	213013	(4.5×9×0.8)	Washer (4.5×9×0.8)	2
30	273016		Work Clamp Guide Plate	1
31	8156	11/64(4.37) 40-3	SM 11/64(4.37) 40-3	2
32	4026	SM11/64(40)-5.4	Screw SM11/64(40)-5.4	2
33	273018	E()	Work Clamp E,Right	1
34	273019	E()	Work Clamp E,Left	1
35	273014		Button Hole Guide	1
36	1094	SM15/64(28)-12	Screw SM15/64(28)-12	2
37	273058		Stop Position Adjusting Plate	1
38	271008		Stop Lever	1
39	6065	SM15/64(28)-9	Screw SM15/64(28)-9	1
40	275010		Stop Lever Spring	1



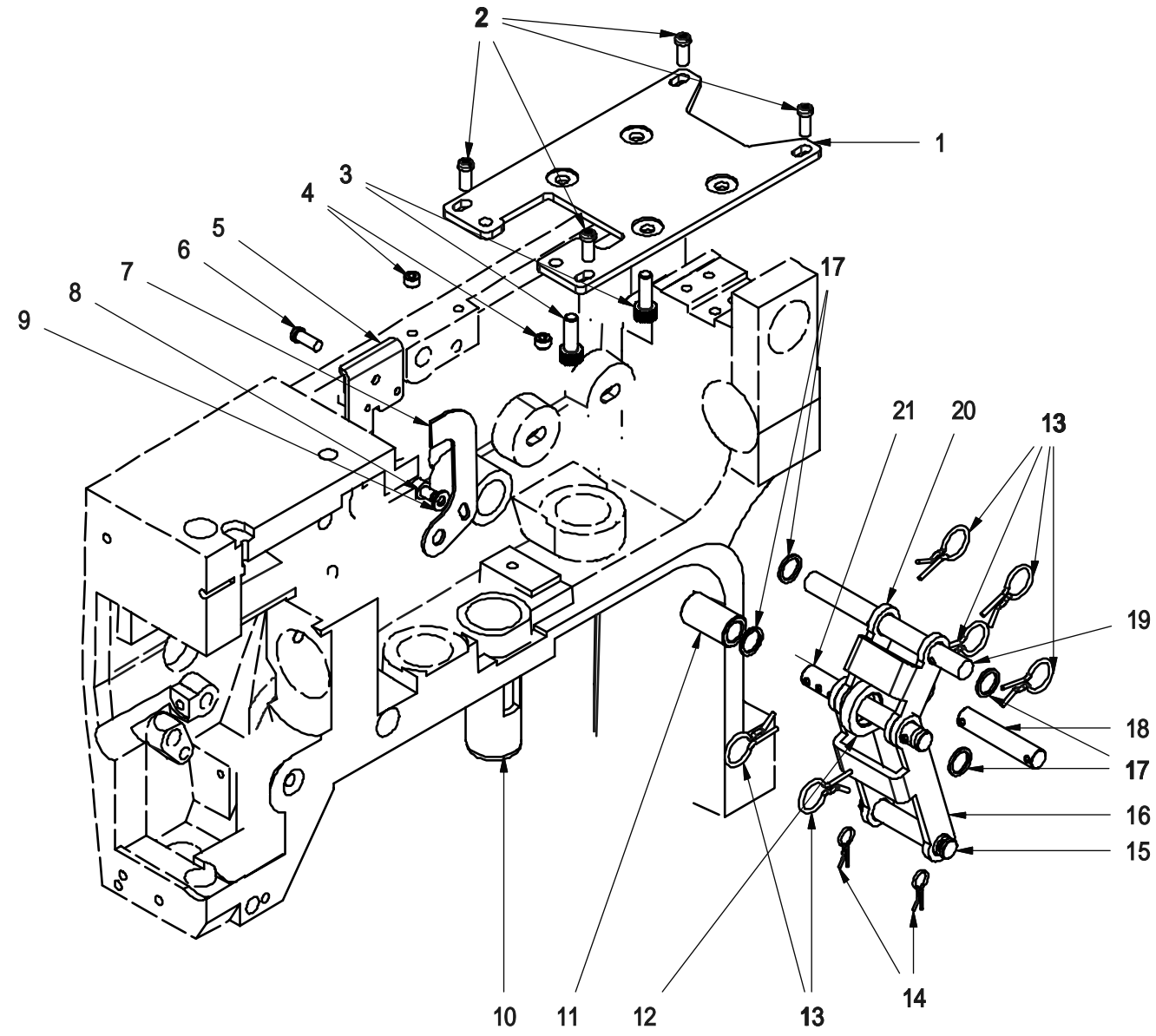
No.	Code No.		Name of Parts	Q'ty
1	273017		Support Plate	1
2	9001	M4-8	Screw M4-8	2
3	9002	11/64(40)-10	Screw 11/64(40)-10	2
4	123062	(5x9.5x1)	Washer (5x9.5x1)	2
5	273007	()	Lever, R	1
6	125033	E 5	E-type Stop Ring 5	2
7	276012		Ball	7
8	272005		Support Shaft	1
9	122081	9/32(28)	Nut 9/32(28)	1
10	273010	(B)	Work Clamp Guide Bracket (B)	1
11	273009	(A)	Work Clamp Guide Bracket (A)	2
12	4011	9/64(40)-6.5	Screw 9/64(40)-6.5	6
13	273011	A	Work clamp A	2
14	1047	11/64(40)-6	Screw 11/64(40)-6	2
15	223033	(4.8x11x1.2)	Washer (4.8x11x1.2)	2
16	3020	11/64(40)-6	Screw 11/64(40)-6	1
17	275001	가	Finger Guard	1
18	273078	B ()	Work Clamp B.Left	1
19	273083	B ()	Work Clamp B.Right	1
20	273096	B	Feed Plate B	1
21	123085	(4x8x1)	Washer (4x8x1)	1
22	9065	M4(P0.7)-8	Screw M4(P0.7)-8	1
23	123061	(6x10x1.2)	Washer (6x10x1.2)	1
24	9058	M6(P:1.0)-10	Screw M6(P:1.0)-10	1
25	272003		Lever Shaft	1
26	273008	()	Lever, L	1
27	275002		Work Clamp Spring	2
28	272051		Spring Suspension	1
29	273006		Plate	2
30	133017	(6x10x1.2)	Washer (6.5x13x1)	1
31	9031	M6(P:1)-20	Screw M6(P:1)-20	1
32	271006		Work Clamp Arm	1
33	3035	15/64(28)-6	Screw 15/64(28)-6	1
34	9025	M5-10	Screw M5-10	2
35	279013	()	Work Clamp Plate.Assy	1
36	202062		Guide Shaft	2
37	206011		Liner Ball Bushing	2
38	115012	C 20	Stop Ring C20	2
39	207018		Work Clamp Lifter Lever Rubber	1



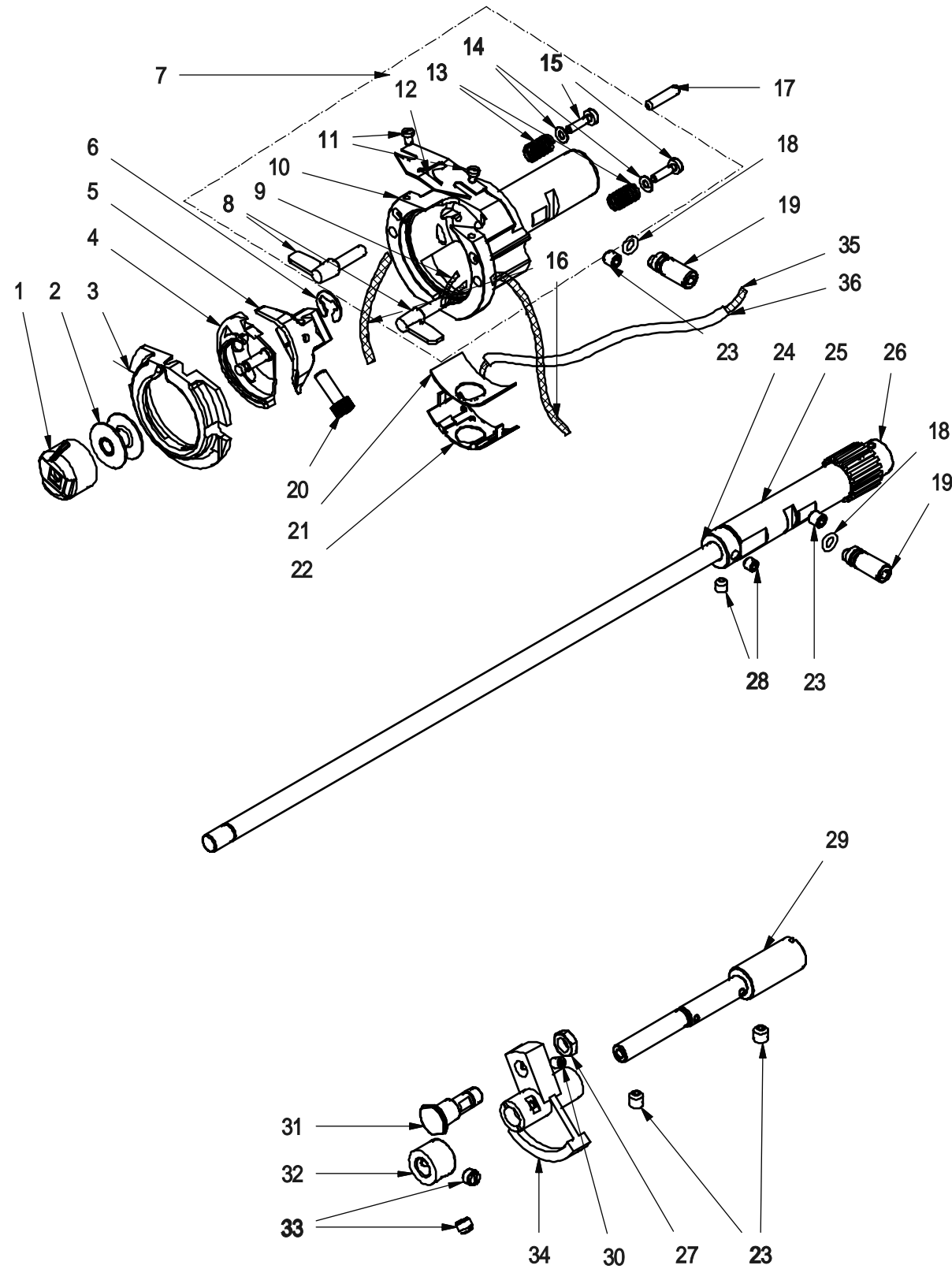
No.	Code No.	Name of Parts	Q'ty	
1	273107	Needle Plate	1	
2	2124	11/64(40)-6.5	Screw 11/64(40)-6.5	13
3	273106	Sensor Plate	1	
4	273105	Safety Cover	1	
5	1047	11/64(40)-6	Screw 11/64(40)-6	6
6	6048	3/16(32)-4.5	Screw 3/16(32)-4.5	1
7	6007	9/64(40)-5	Screw 9/64(40)-5	1
8	273104	Solenoid Bracket	1	
9	276025	Linear Bushing	1	
10	8155	Stud Screw	2	
11	272068	Point Pin	1	
12	3096	M3(P0.5)-4	Screw M3(P0.5)-4	1
13	272070	가	Lever Guide	1
14	1021	9/64(40)-6	Screw 9/64(40)-6	2
15	9019	M4-6	Screw M4-6	6
16	273117	Needle Support Plate	1	
17	273110	B	Solenoid Cover B	1
18	129031	()	Wiper Solenoid ASSY	1
19	122087		Solenoid Shaft	1
20	8003	M3(P0.5)-4	Screw M3(P0.5)-4	1
21	273116		Lever Support	1
22	273108		Lifting Lever	1
23	275011		Spring	1
24	273109	A	Solenoid Bracket A	1
25	1005	M3(P0.5)-8	Screw M3(P0.5)-8	1
26	276027		Sensor	1
27	203112		Sensor Bracket Assy	1
28	115014	E 9	Stop Ring	1
29	127041		Rubber Cushion	1
30	279012	()	Work Clamp Plate.Assy	1
31	271006		Work Clamp Arm	1
32	122081	9/32(28)	Nut 9/32(28)	1
33	272005		Support Shaft	1
34	272003		Lever Shaft	1
35	273010	(B)	Work Clamp Guide Bracket (B)	1
36	273009	(A)	Work Clamp Guide Bracket (A)	2
37	273007	()	Lever, R	1
38	273008	()	Lever, L	1
39	4011	9/64(40)-6.5	Screw 9/64(40)-6.5	6
40	3035	15/64(28)-6	Screw 15/64(28)-6	1



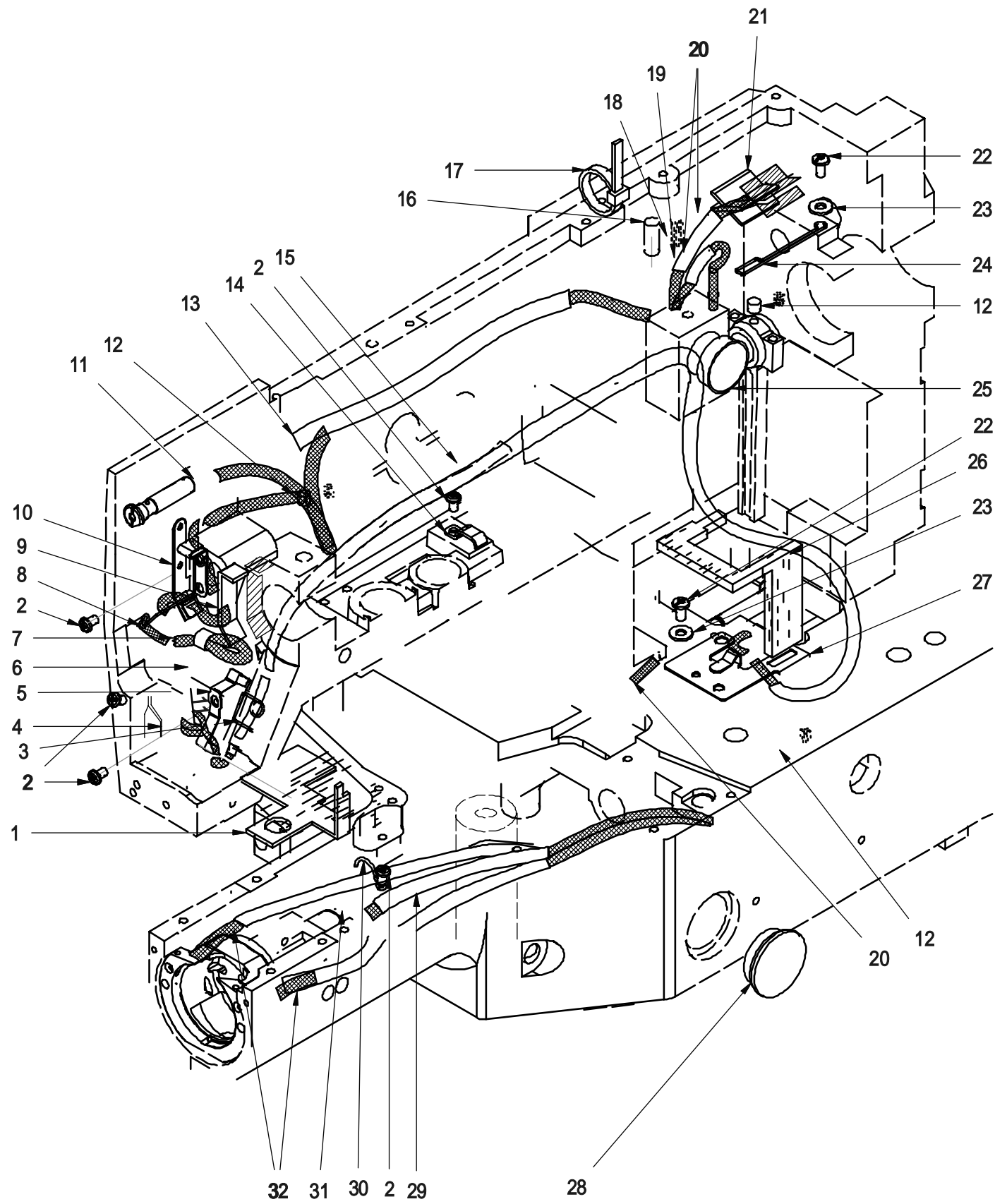
No.	Code No.		Name of Parts	Q'ty	
1	271022		Button Clamp Support Plate	1	
2	222048	3/16	Nut 3/16	1	
3	9031	M6(P:1) - 20	Screw M6(P:1) - 20	1	
4	272057	X	X Feed Block Shaft	1	
5	273101		Button Clamp Lifting Lever	1	
6	182093	9/64(40)	Nut 9/64(40)	1	
7	182048		Button Clamp Lifting Rod Roller	1	
8	185002		Spring	1	
9	273102		Button Clamp Lifting Hook	1	
10	125032	E 3	E- type Stop Ring 3	1	
11	5005	3/16(32) - 13	Screw 3/16(32) - 13	3	
12	123060	5.1x12x2.5	Washer 5.1x12x2.5	2	
13	6012	9/64(40) - 5	Screw 9/64(40) - 5	1	
14	6013	9/64(40) - 12	Screw 9/64(40) - 12	1	
15	183002		Button Clamp Stop Lever	1	
16	181001		Jaw Lever Holder	1	
17	8012	9/64(40) - 9.7	Screw 9/64(40) - 9.7	2	
18	271026		Button Clamp Slide Guide	1	
19	2027	9/64(40) - 5	Screw 9/64(40) - 5	2	
20	183078	()	Button Clamp Plate Spring (R)	1	
21	183004	()	Button Clamp Jaw Lever (L)	1	
22	273103	E	Feed Plate E	1	
23	183005	()	Button Clamp Plate Spring (L)	1	
24	183077	()	Button Clamp Jaw Lever(R)	1	
25	182079	9/64(40)	Nut 9/64(40)	1	
26	6037	3/16(32) - 6	Screw 3/16(32) - 6	2	
27	185001		Button Clamp Spring	1	
32	5006	15/64(28) - 8	Screw 15/64(28) - 8	2	
33	182090	1/4(40)	Nut 1/4(40)	2	
34	3035	15/64(28) - 6	Screw 15/64(28) - 6	1	
35	8015		Screw	1	
36	182001		Hinge Pin	1	
37	181002		Button Clamp Holder	1	
38	8066		Screw	1	
39	271023		Button Clamp Feed Plate	1	
41	125033	E 5	E- type Stop Ring 5	2	
42	272073		Pin	1	
43	115007	C	C-Type Stop Ring	1	
44	223026		Thrust Washer	1	B736 D-55
45	207018		Work Clamp Lifter Lever Rubber	1	
46	272067		Button Clamp Lifting Shaft	1	
47	9008	M6(P:1) - 16	Screw M6(P:1) - 16	2	
48	133017	(6.5x13x1)	Washer (6.5x13x1)	1	
49	9058	M6(P:1.0) - 10	Screw M6(P:1.0) - 10	1	
50	123061	(6x10x1.2)	Washer (6x10x1.2)	1	
51	9065	M4(P0.7) - 8	Screw M4(P0.7) - 8	1	
52	123062	(5 x 9.5 x 1)	Washer (5 x 9.5 x 1)	1	
53	185003		Finger Guard	1	
54	207013	21.5	Rubber Cap 21.5	1	



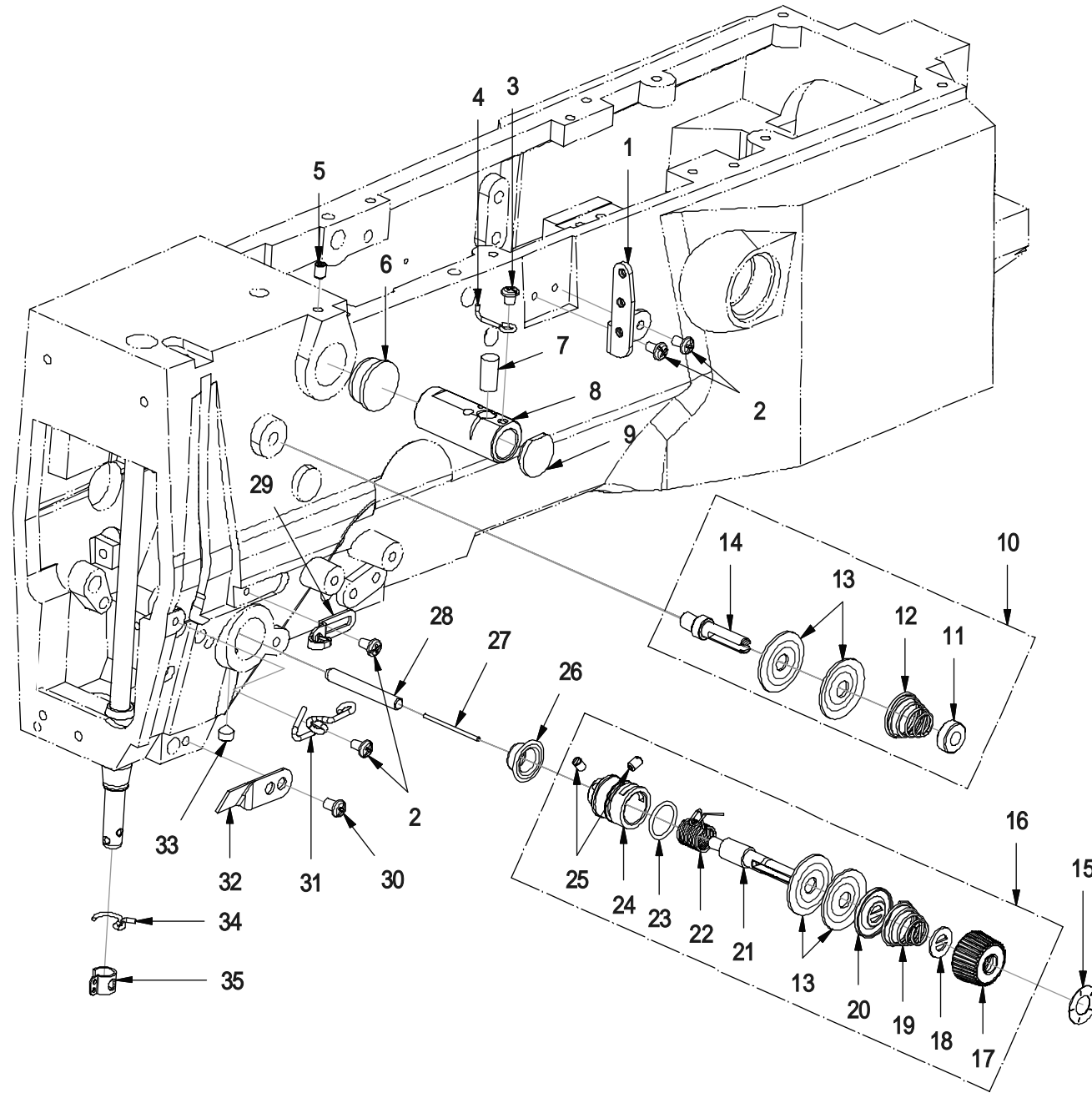
No.	Code No.		Name of Parts	Q'ty
1	273028	A	Setting Plate, A	1
2	1126	11/64(40) - 10	Screw 11/64(40) - 10	4
3	9015	M5 - 15	Screw M5 - 15	2
4	3032	15/64(40) - 4	Screw 15/64(40) - 4	2
5	273030		Setting Base Sensor	1
6	1055	11/64(40) - 10	Screw 11/64(40) - 10	1
7	273026		Sensor Perceive Plate	1
8	9019	M4 - 6	Screw M4 - 6	1
9	123085		Washer	1
10	202069		Work Clamp Plate Bush	1
11	272063		Link Shaft Bushing	1
12	273050		Link	1
13	206005	,8	Snap Pin, 8	6
14	206004	,5	Snap Pin, 5	2
15	202067	(D)	Link Shaft (D)	1
16	273025	(B)	Link (B)	1
17	203083		Washer	4
18	272014	(A)	Link Shaft (A)	1
19	202065	(B)	Link Shaft (B)	1
20	273024	(A)	Link (A)	1
21	202066	(C)	Link Shaft (C)	1



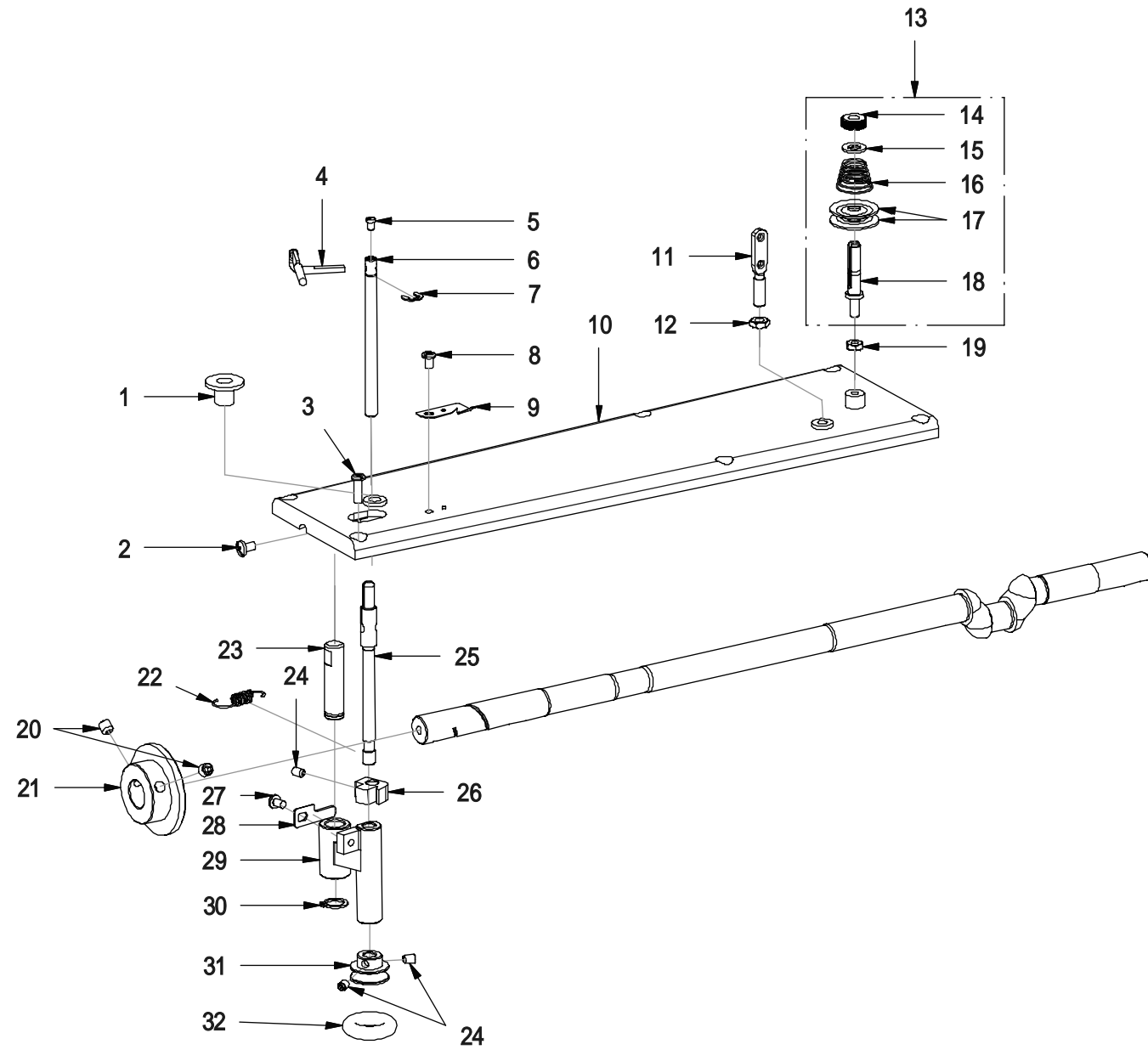
No.	Code No.		Name of Parts	Q'ty	
1	279015	()	Bobbin Case Assy.	1	S15902401
2	272055		Bobbin	1	
3	201028	가	Shuttle Hook Base Cover	1	
4	279014	가 () (A)	Shuttle Hook Box Assy. (A)	1	152685903A
	279014-H	가 () (B)	Shuttle Hook Box Assy. (B)	1	152687902B
5	271014		Driver	1	
6	135019	E 7	E- type Stop Ring 7	1	
7	279030	가 ()	Shuttle Hook Base Assy.	1	S49611301
8	209043	가 ()	Shuttle Hoo Base Setting Claw Assy.	(2)	
9	278011		Wick	(1)	
10	271012	가	Shuttle Hook Base	(1)	
11	2009	1/8(40)-4.5	Screw 1/8(40)-4.5	(2)	
12	203099	가	Shuttle Race Thread Guide	(1)	
13	205017	가	Shuttle Hook Base Spring	(2)	
14	203100	3.3	Washer 3.3	(2)	
15	2019	SM1/8(44)-12.5	Screw SM1/8(44)-12.5	(2)	
16	278010	(L=450)	Wick (L=450)	(2)	
17	202083		Dowel Pin	1	
18	207005	O	O Ring	2	
19	202053	가	Shuttle Hook Adjusting Stud	2	
20	9015	M5-15	Screw M5-15	1	
21	278002		Felt	1	
22	274007		Felt Support	1	
23	3035	15/64(28)-6	Screw 15/64(28)-6	4	
24	202080		Set Collar	1	
25	272053		Lower Shaft Bushing	1	
26	279020	()	Lower Shaft Assy.	1	
27	122081	9/32(28)	Nut 9/32(28)	1	
28	3080	M5-5	Screw M5-5	2	
29	272017		Rock Gear Shaft	1	
30	3020	11/64(40)-6	Screw 11/64(40)-6	1	
31	8126		Crank Rod Shoulder Screw	1	
32	202038		Set Collar	1	
33	3057	1/4(40)-5.5	Screw 1/4(40)-5.5	2	
34	271015		Rack Gear	1	
35	278013	(L=300)	Wick (L=300)	1	
36	277015	(L=250)	Oil Tube (L=250)	1	



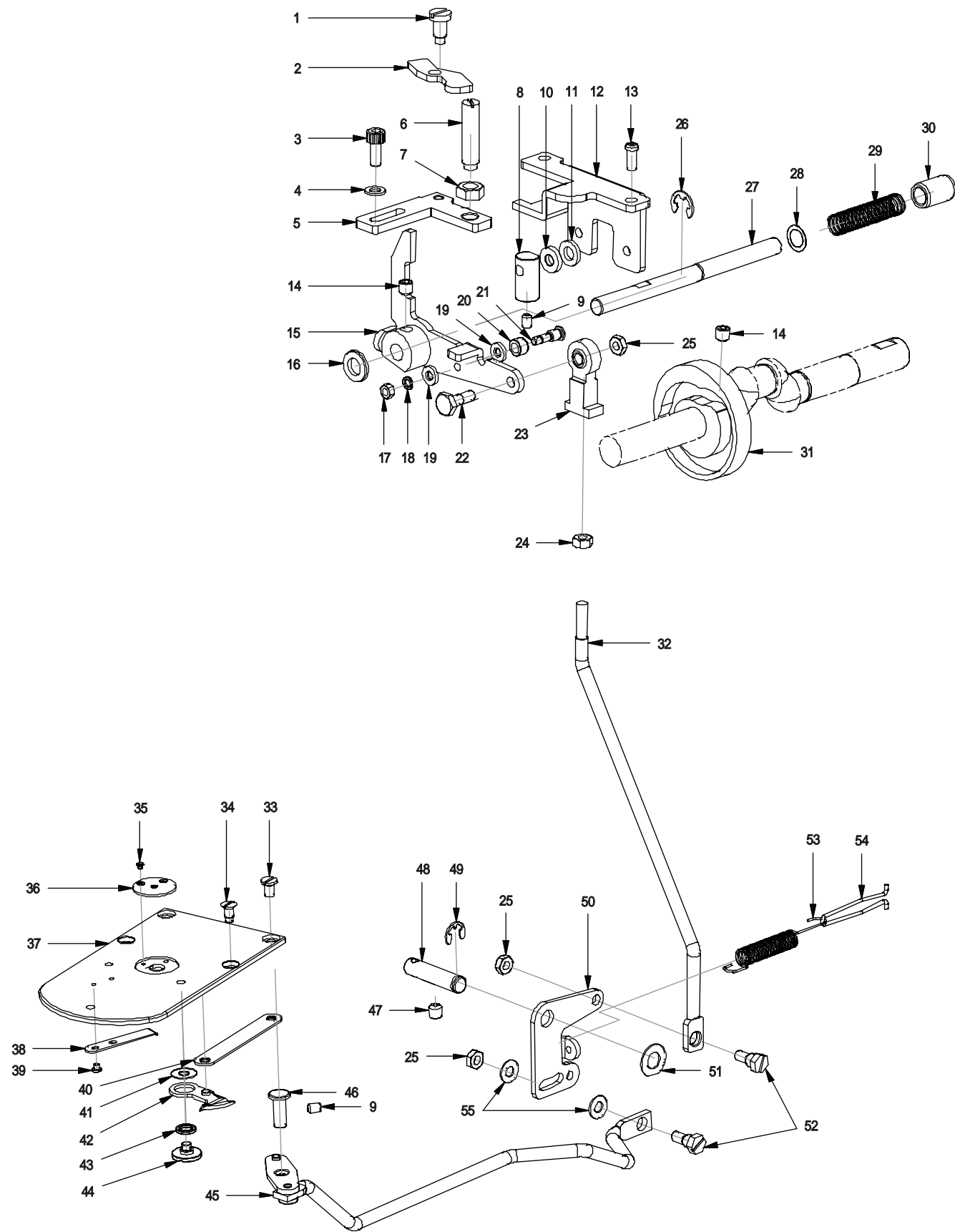
No.	Code No.		Name of Parts	Q'ty
1	208009		Felt	1
2	1021	9/64(40)-8	Screw 9/64(40)-8	5
3	205019		Oil Tube Holder	1
4	208004	(L=1150)	Wick (L=1150)	1
5	203103		Tube Holder	1
6	208006	(L=250)	Wick (L=250)	1
7	113024		Oil Wick Holder	1
8	205014	(C)	Wick Holder (C)	1
9	208008	(L=150)	Felt Wick (L=150)	1
10	203078	(B)	Wick Support (B)	1
11	208002	(L=400)	Wick (L=400)	1
12	148006		Felt	3
13	207009	(L=310)	Oil Tube (L=305)	1
14	223091		Code Holder	1
15	207010	(L=500)	Oil Tube	1
16	148017	(7x17)	Felt (7x17)	1
17	126003		Band	3
18	207011	(L=125)	Oil Tube (L=125)	1
19	207012	(L=95)	Oil Tube (L=95)	1
20	208017	(L=150)	Wick (L=150)	3
21	208005		Felt	1
22	1050	11/64(40)-8	Screw 11/64(40)-8	2
23	223033	(4.8x11x1.2)	Washer (4.8x11x1.2)	2
24	205011	(A)	Wick Support (A)	1
25	206037	25	Oil Window 25	1
26	208007		Felt	1
27	273088		Felt Holder	1
28	276019	28	Oil Window 28	1
29	277013	(L=300)	Oil Tube (L=300)	1
30	205012		Code Holder	1
31	278012	(L=370)	Wick (L=370)	1
32	277014	(L=370)	Oil Tube (L=370)	2



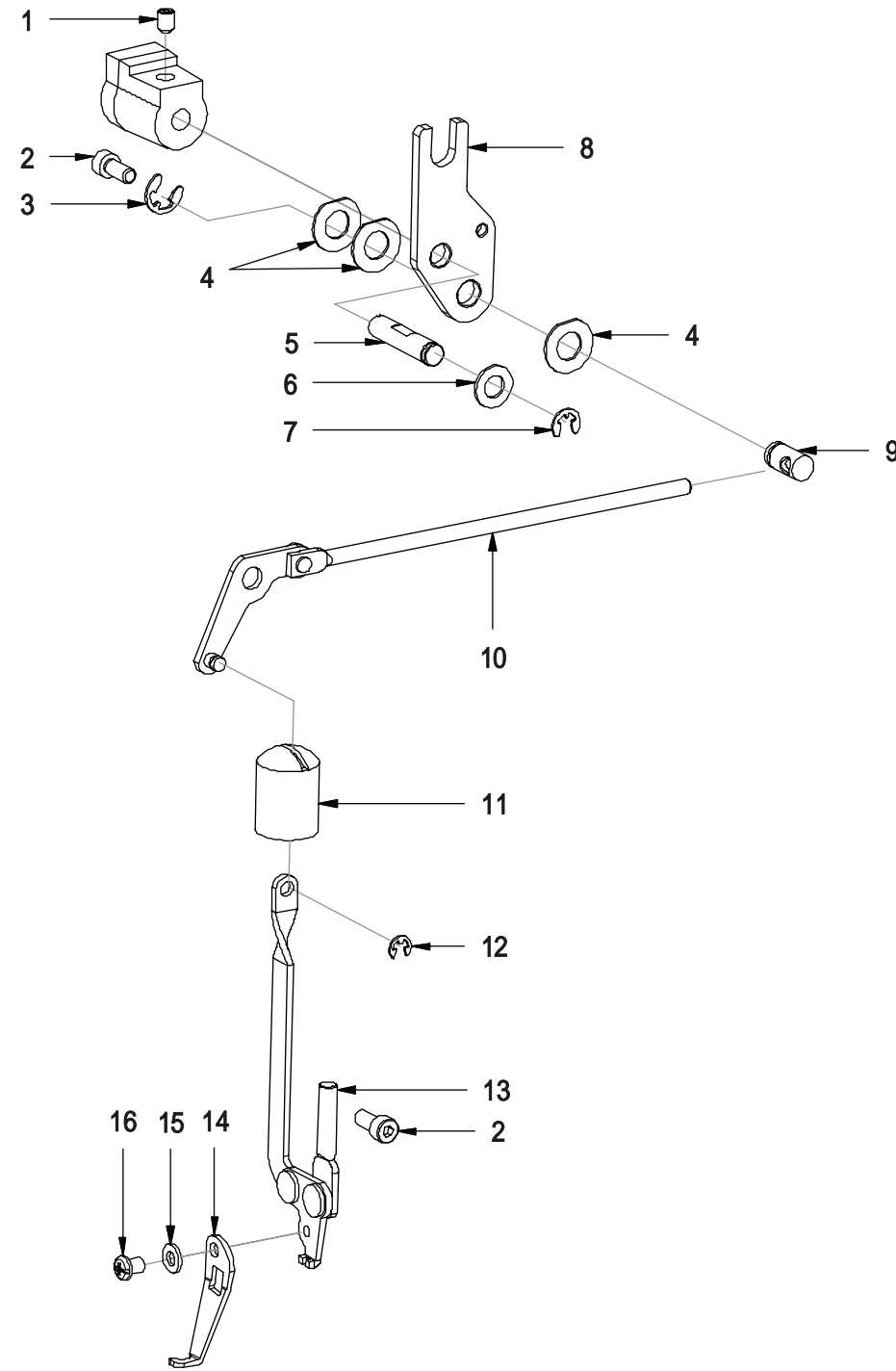
No.	Code No.		Name of Parts	Q'ty	Remark
1	203075	()	Arm Thread Guide(U)	1	
2	1021	9/64(40)-6	Screw 9/64(40)-6	4	
3	1015	9/64(40)-4	Screw 9/64(40)-4	1	() B736, D-79
4	203095		Need Thread Guide	1	()
5	3020	11/64(40)-6	Screw 11/64(40)-6	1	
6	117004		Rubber Plug	1	
7	148017	7X17	Felt 7X17	1	()
8	202079		Liquid Cooling Tank	1	()
9	204015		Liquid Cooling Tank Cover	1	()
10	209066	()	Thread Tension Regulator Assy	1	
11	182090		Tension Nut	(1)	
12	205023		Tension Spring	(1)	
13	113037		Tension Disc	(4)	
14	182027		Tension Stud	(1)	
15	124023		Sticker	1	
16	129003	()	Thread Tension Regulator Assy	1	
16	309037	()	Thread Tension Regulator Assy	1	
17	124022	()	Thread Tension Nut Assy	(1)	
18	113035		Washer	(1)	
19	305009		Tension Spring	(1)	
20	113036		Tension Washer	(1)	
21	112052		Tension Stud	(1)	
22	305007		Spring	(1)	
23	117011	O	O-Ring	1	
24	112024		Thread Tension Bracket	(1)	
25	3010	9/64(40)-5.5	Screw 9/64(40)-5.5	(2)	
26	127026		Oil Cap	1	
27	122062	()	Thread Release Pin(S)	1	
28	272069		Tension Pin	1	
29	113008	()	Arm Thread Guide(R)	1	B736, G-10
30	1047	11/64(40)-6	Screw 11/64(40)-6	1	
31	205022	()	Arm Thread Guide(L)	1	
32	203117		Arm Thread Guide	1	
33	3035	15/64(28)-6	Screw 15/64(28)-6	1	
34	115011		Need Bar Thread Guide	1	
35	273055		Needle Bar Thread Guide	1	



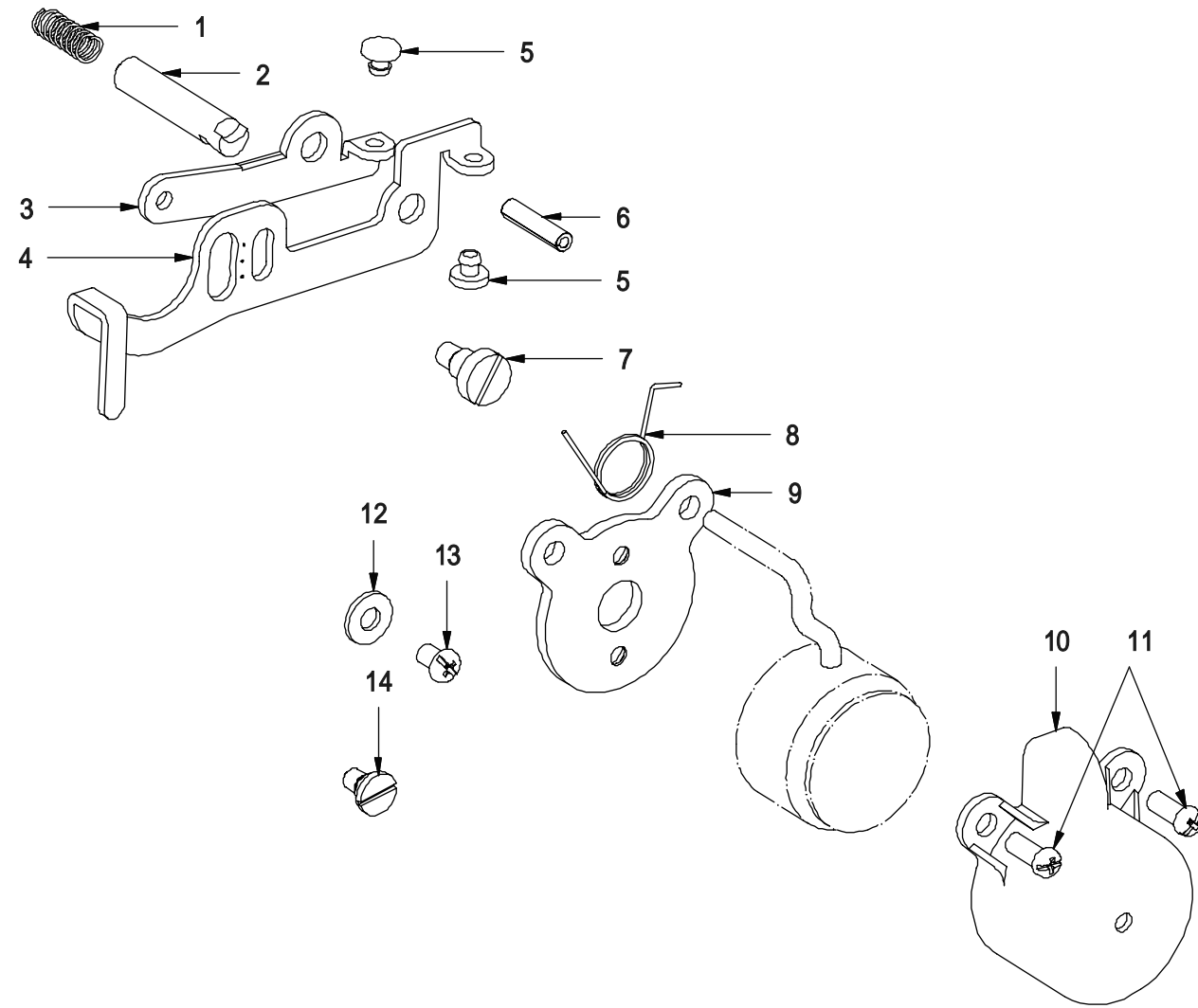
No.	Code No.		Name of Parts	Q'ty	Remark
1	204014		Dust Guard Plate	1	
2	1048	11/64(40) -7	Screw 11/64(40) -7	1	
3	1059	11/64(40) -13	Screw 11/64(40) -13	6	
4	273052		Bobbin Presser	1	
5	2024	9/64(40) -4.5	Screw 9/64(40) -4.5	1	
6	202050		Bobbin Winder Claw Stud	1	
7	125033	E 5	Retaining Ring E5	1	
8	1047	11/64(40) -6	Screw 11/64(40) -6	1	
9	203072		Knife	1	
10	271020		Top Cover	1	
11	203004		Thread Guide Bar	1	
12	122088	15/64(28)	Nut 15/64(28)	1	
13	209067	()	Thread Tension Regulator Assy	1	
14	115021		Tension Nut	(1)	
15	113035		Rotation Stopper	(1)	
16	205023		Tension Spring	(1)	
17	113037		Tension Disc	(2)	
18	202099		Tension Stud	(1)	
19	122084	11/64(40)	Nut 11/64(40)	1	
20	3058	1/4(40) -6	Screw 1/4(40) -6	2	
21	272029		Bobbin Winder Pulley	1	
22	205008		Spring	1	
23	202003		Bobbin Winder Lever Shaft	1	
24	3020	11/64(40) -6	Screw 11/64(40) -6	3	
25	202051		Bobbin Winder Shaft	1	
26	201019		Bobbin Winder Claw	1	
27	1143	M4(P0.7) -6	Screw M4(P0.7) -6	1	
28	203144		Spring Plate	1	
29	204013		Bobbin Winder Wheel	1	
30	135007	C 10	Retaining Ring C10	1	
31	202052		Bobbin Winder Wheel	1	
32	120448001		Rubber Ring	1	B652, A-18



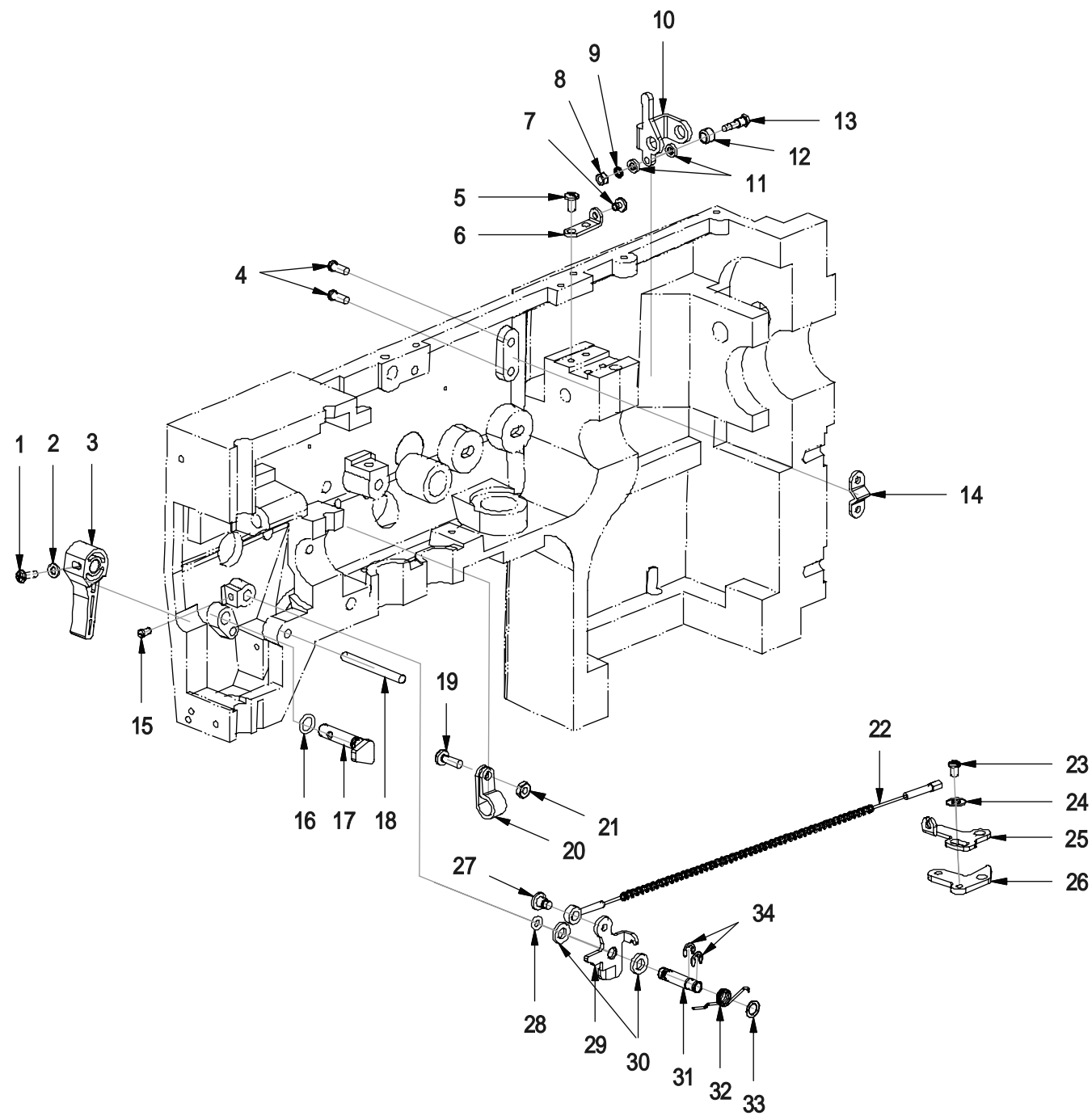
No.	Code No.		Name of Parts	Q'ty	Remark
1	6146	3/16(28) -12	Screw SM 3/16(28) - 12	1	
2	203062		Driving Lever	1	
3	9036	M5-12	Screw M5-12	2	
4	123062		Washer	2	
5	203063		Driving Lever Stopper	1	
6	3085	5/16(24) -33	Screw 5/16(24) -33	1	
7	152077	5/16(24)	Nut 5/16(24)	1	
8	222086		Solenoid Lever	1	
9	3020	11/64(40) -6	Screw 11/64(40) -6	2	
10	223065		Washer	1	
11	227025		Soleroid Cushion	1	
12	273065		Solenoid Set Plate	1	
13	1055	11/64(40) -10	Screw 11/64(40) -10	2	
14	3058	1/4(40) -6	Screw 1/4(40) -6	2	
15	279028	()	Trimmer Driving Lever Assy	1	
16	207016	8.3	Cushion 8.3	1	
17	182093	9/64(40)	Nut 9/64(40)	1	
18	136001		Spring Washer	1	
19	203064		Washer	2	
20	262018		Roller	1	
21	6121	9/64(40) -4.4	Screw 9/64(40) -4.4	1	
22	6149	3/16(28) -8	Screw 3/16(28) -8	1	
23	156007		Joint	1	
24	122082	M5	Nut M5	1	
25	122080	3/16(28)	Nut 3/16(28)	3	
26	135019	E 7	Retaining Ring, E7	1	
27	272033		Driving Lever Shaft	1	
28	206029		Wave Washer	1	
29	275005		Spring	1	
30	202043		Bushing	1	
31	272034		Thread Trimmer cam	1	
32	273060		Thread Trimmer Rod	1	
33	2124	11/64(40) -6.5	Screw 11/64(40) -6.5	2	
34	4018	11/64(40) -8	Screw 11/64(40) -8	2	
35	4002	3/32(56) -2.1	Screw 3/32(56) -2.1	2	
36	203052	()	Needle Hole Plate(S)	1	
36	272032	()	Needle Hole Plate(S)	1	
37	273048		Needle Plate	1	
38	203106		Fixing Knife	1	
39	2115	3/32(56) -2.3	Screw 3/32(56) -2.3	2	
40	273049		Thread Trimmer Connecting Rod	1	
41	203055	(t0.4)	Washer (t:0.4)	1	
41	203056	(t0.5)	Washer (t:0.5)	1	
41	203057	(t0.6)	Washer (t:0.6)	1	
42	279016	()	Movable Knife Assy	1	
43	203089		Movable Knife	1	
44	6117	11/64(40) -3.1	Screw11/64(40) -3.1	1	
45	279009	()	Connect Rod Lever Assy	1	
46	202040		Connect Rod Lever Shaft	1	
47	3035	15/64(28) -6	Screw 15/64(28) -6	1	
48	202039		Thread Trimmer Lever Shaft	1	
49	135018	E 6	Retaining Ring, E6	1	
50	203061		Thread Trimmer Lever	1	
51	123058		Washer	1	
52	6119	3/16(28) -10.7	Screw 3/16(28) -10.7	2	
53	205010		Thread Trimmer Return Spring	1	
54	205009		Spring Hook	1	
55	223032		Washer	2	



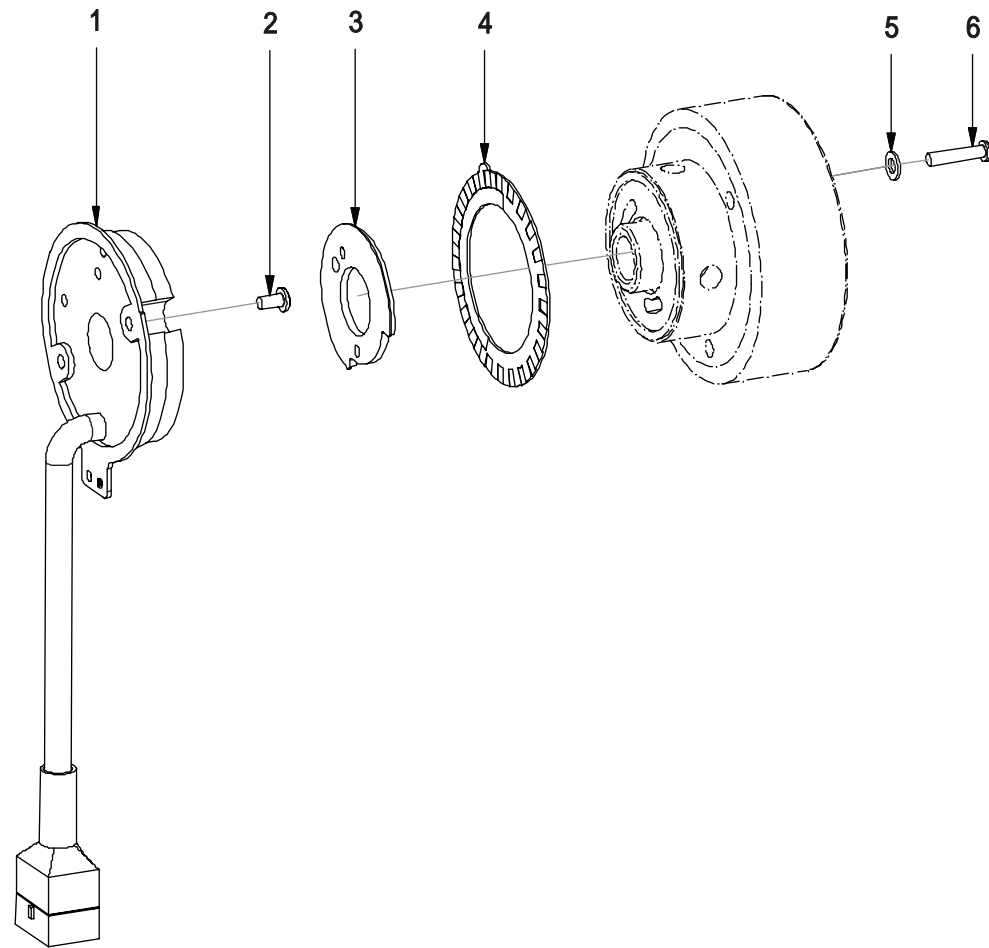
No.	Code No.		Name of Parts	Q'ty	Remark
1	3020	11/64(40)-6	Screw 11/64(40)-6	1	
2	9002	11/64(40)-10	Screw 11/64(40)-10	2	
3	135018	E E6	Retaining Ring E6	1	
4	123058		Washer	3	
5	272022		Thread Wiper Shaft	1	
6	223021		Washer	1	
7	125039	E E4	Retaining Ring E4	1	
8	273022		Thread Wiper Control Lever	1	
9	272023		Thread Wiper Rod Shaft	1	
10	279003	()	Thread Wiper Rod Assy	1	
11	277003		Oil Cap	1	
12	125032	E E3	Retaining Ring E3	1	
13	279004	()	Thread Wiper Arm Assy	1	
14	273056	A	Thread Wiper, A	1	
15	123085		Washer	1	
16	1020	9/64(40)-5	Screw 9/64(40)-5	1	



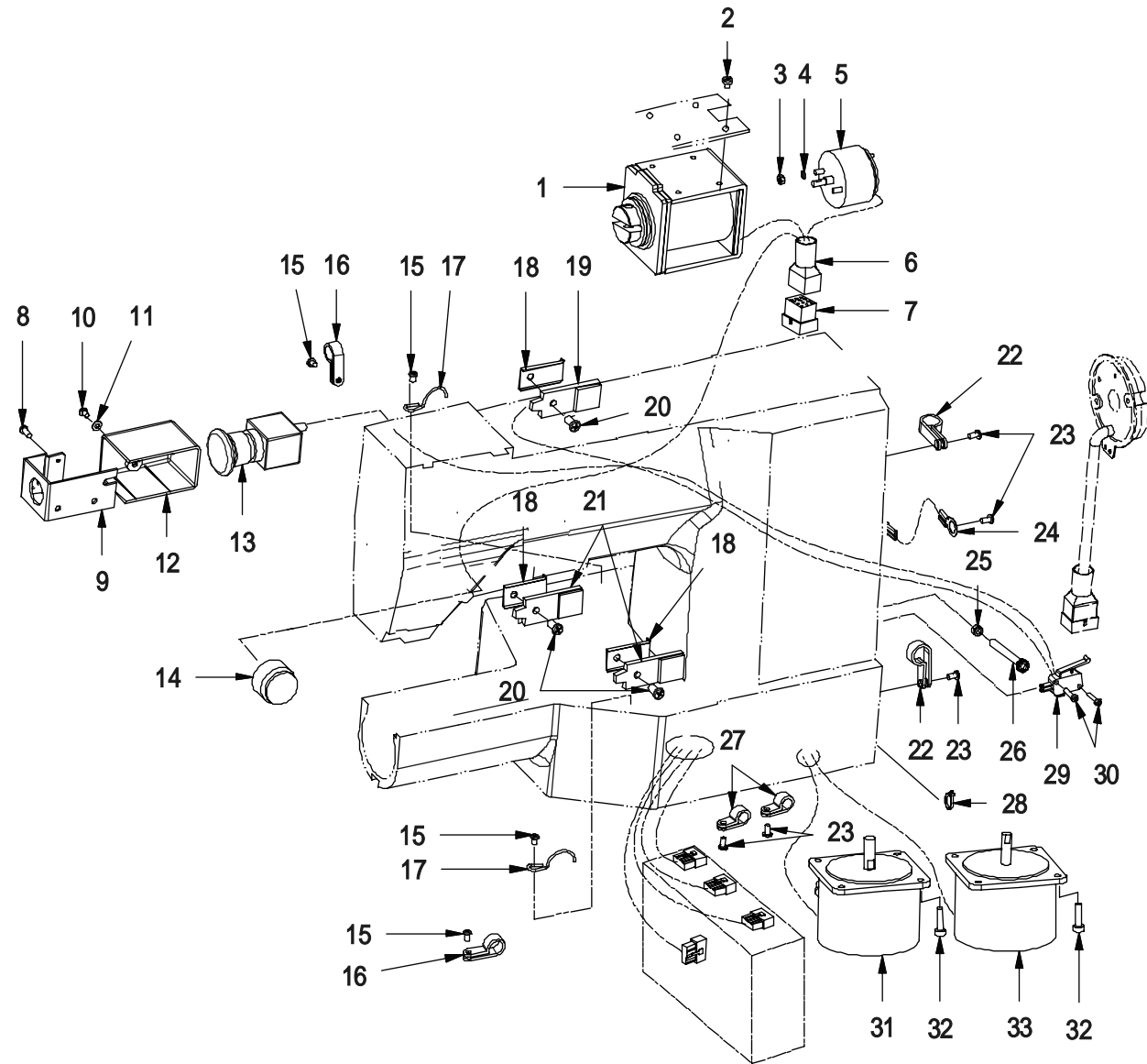
No.	Code No.		Name of Parts	Q'ty	Remark
1	155023		Spring	1	
2	272041		Taper Pin	1	
3	273062		Thread Control Lever	1	
4	273054		Thread Lever	1	
5	277006		Cushion	2	
6	206020		Spring Pin	1	
7	6038	SM 3/16(28)-5.3	Screw 3/16(28)-5.3	1	
8	275008		Thread Take-Up Spring	1	
9	273063		Solenoid Bracket	1	
10	274004		Tension Release Solenoid Cover	1	
11	1055	11/64(40)-10	Screw 11/64(40)-10	2	
12	223033		Washer	1	
13	1047	11/64(40)-6	Screw 11/64(40)-6	1	
14	6036	3/16(28)-4	Screw 3/16(28)-4	1	



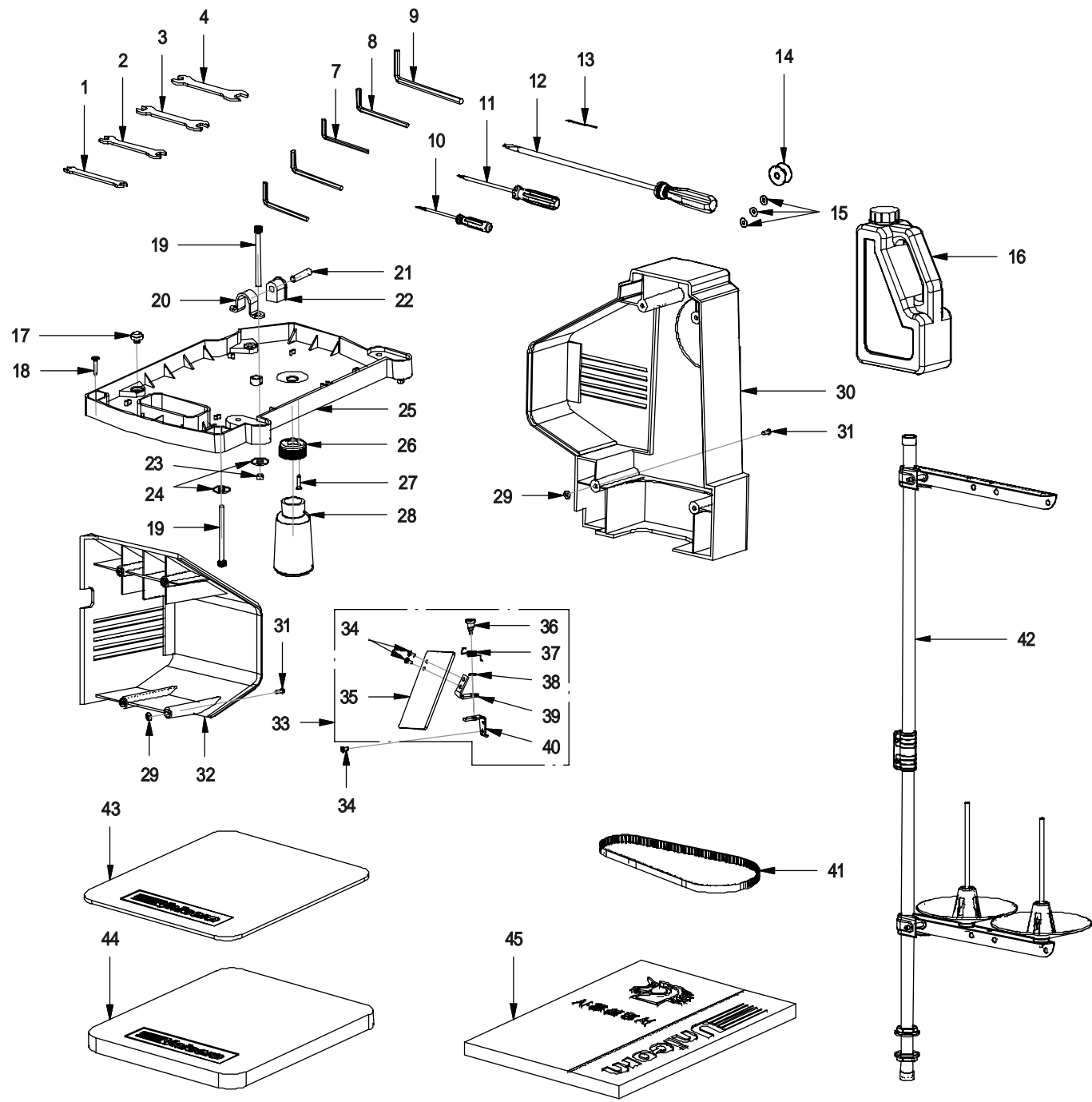
No.	Code No.	Name of Parts	Q'ty	Remark
1	1039	9/64(40) -11	1	Screw 9/64(40) - 11
2	123085		1	Washer
3	114019		1	Presser Bar Lifter
4	1126	11/64(40) -10	2	Screw 11/64(40) - 10
5	1050	11/64(40) -8	2	Screw 11/64(40) - 8
6	273039	()	1	Stopper, U
7	277006		1	Cushion
8	182093	9/64(40)	1	Nut 9/64(40)
9	136001		1	Spring Washer
10	273047		1	Tension Release Driving Lever
11	272030		2	Collar
12	262018		1	Roller
13	6121	9/64(40) -4.4	1	Screw 9/64(40) - 4.4
14	273064	A	1	Wire Holder A
15	2028	9/64(40) -6	1	Screw 9/64(40) - 6
16	127016	O	1	O- Ring
17	272036		1	Presser Bar Lifter Crank
18	202054		1	Tension Release Stud
19	1059	11/64(40) -13	1	Screw 11/64(40) - 13
20	157006	()	1	Cord Holder(DA-3N)
21	122084	11/64(40)	1	Nut 11/64(40)
22	279007	()	1	Tension Release Wire Assy
23	1047	11/64(40) -6	1	Screw 11/64(40) - 6
24	223032		1	Washer
25	273040		1	Control Lever
26	273038	()	1	Tension Release Lever, U
27	6147	3/16(28) -3.3	1	Screw 3/16(28) - 3.3
28	127017	O	1	O- Ring
29	273037		1	Tension Release Lever
30	203059		2	Washer
31	222016		1	P- Bar Lifter Lever Shaft
32	275006		1	Presser Bar Lifter Lever Spring
33	223011		1	Washer
34	125039	E , E4	2	Retaining Ring, E4



No.	Code No.	()	Name of Parts	Q'ty	Remark
1	279033	()	Synchronizer Assy	1	
2	1050	11/64(40)-8	Screw 11/64(40)-8	2	
3	273099		Needle Upper Plate	1	
4	273100		Needle Lower Plate	1	
5	123062	(5X9.5X1)	Washer(5X9.5X1)	2	
6	1063	11/64(40)-20	Screw 11/64(40)-20	2	



No.	Code No.	Name of Parts	Q'ty	Remark
1	279006	()	1	Presser Solenoid Assy
2	1162	M5-5	4	Screw M5-5
3	122083	M4	2	Nut M4
4	156004		2	Spring Washer
5	279031	()	1	Thread Trimmer Solenoid Assy
6	124025	6	2	Connector Cap 6
7	124026	, 12P	2	Connector, 12P
8	1055	11/64(40)-10	2	()
9	273045		1	()
10	1143	M4(P0.7)-6	2	()
11	123114		2	()
12	124033		1	()
13	276010		1	()
14	279032	()	1	()
15	1021	9/64(40)-8	4	()
16	157007	(DA-5N)	2	()
17	205012		2	()
18	203112		3	()
19	276038		1	()
20	1005	M3-8	3	()
21	206051		2	()
22	157008	(DA-8N)	2	()
23	1050	9/64(40)-8	5	()
24	129032		1	()
25	182123	M6	1	()
26	9066	M6-55	1	()
27	157006	(DA-3N)	2	()
28	126003	()	1	()
29	276026		1	()
30	1165	M3-15	2	()
31	276008	(), X	1	()
32	9063	M5-20	8	()
33	276009	(), Y	1	()



No.	Code No.	Name of Parts	Q'ty	Remark
1	863	(6X7)	1	Spanner (6X7)
2	835	(8X9)	1	Spanner (8X9)
3	826	(10X12)	1	Spanner (10X12)
4	836	(11X14)	1	Spanner (11X14)
7	830	L 4	1	L Rench 4
8	867	L 5	1	L Rench 5
9	871	L 6	1	L Rench 6
10	813	()	1	Driver(S)
11	814	()	1	Driver(M)
12	815	()	1	Driver(L)
13	126001	DPX5 #11	5	Needle DPX5 #11
13	136002 -1	DPX5 #21	5	Needle DPX5 #21
13	156002	DPX5 #14	5	Needle DPX5 #14
14	272055		3	Bobbin
15	203055		1	Washer
15	203056		1	Washer
15	203057		1	Washer
16	801		1	Oil Tank
17	277007		2	Rubber Cushion
18	868		3	Screw Nail
19	9048	M6-75	5	Screw M6-75
20	273081		2	Head Hinge
21	272059		2	Hinge Pin
22	277004		2	Hinge Cushion Rubber
23	182123	M6	4	Nut M6
24	193014		5	Washer
25	274005		1	Oil Pan
26	204001		1	Dust Oiler
27	876		2	Screw
28	873		1	Oil Tank
29	274011		8	Fixing Washer
30	274006		1	Motor Cover
31	1055	11/64(40)-10	8	Screw 11/64(40)-10
32	274010		1	Side Cover
33	209071	()	1	Eye Protection Plate Assy
34	1048	11/64(40)-7	3	Screw 11/64(40)-7
35	184010		1	Safety Plate
36	6145	3/16(28)-5	1	Screw 3/16(28)-5
37	275007		1	Eye Protection Plate Spring
38	223011		1	Washer
39	183093		1	Safety Plate Stopper
40	183092		1	Safety Plate Bracket
41	276017		1	Timing Belt
42	820	()	1	Thread Stand Assy
43	804		1	Accessries Bag
44	875		1	Head Cover
45	278005		1	Operation Manual
85	AllenWrench		2	